

FL10

LED SPORTS & HIGH MAST LIGHT



FL10

LED SPORTS & HIGH MAST LIGHT

A Professional Sports Lighting Solution For Sports Lighting & Area Lighting

Key Features

400W to 1200W



Aluminum Multi-Driver Box



Individual Driver

ADC12 Aluminum Die-cast Fixture Housing

Corrosion resistant treatment, Anti-rust, excellent thermal management, and long lifespan.

Polycarbonate Lens & Multiple Beam Angles

Anti-UV and high mechanical strength, IK08.
10°, 15°, 25°, 45°, 60° and 90° options

Tempered Glass Optional

4mm high strength tempered glass, further reduces the UV and anti-rust, typically designed for coastal areas.

High brightness LEDs

High luminous efficacy up to 150lm/w, high CRI, Ra>70, >80, >95(TLCI>95, R9>0).

Aluminum Removable Driver Box

Removable and remotely mountable power supply box(es) with tool-free access for quick and easy wiring

Racked Angle

Widely adjustable mounting bracket with degree indicator

Visor

Effectively control the spill light, upward light and avoid the lighting pollution.

ZGSM-FL10-400/500/600

Specifications

Optical Data

Power	400W/500W/600W
CCT	1800K-6500K
Lighting Efficacy	150lm/W±5%
Lumen Flux	60000LM/75000LM/90000LM
LED Brand	LUMILEDS
Qty of LED	3030-714PCS 3737-240PCS
Beam Angle	3737 For 10°/15° 3030 For 25°/45°/60°/90°

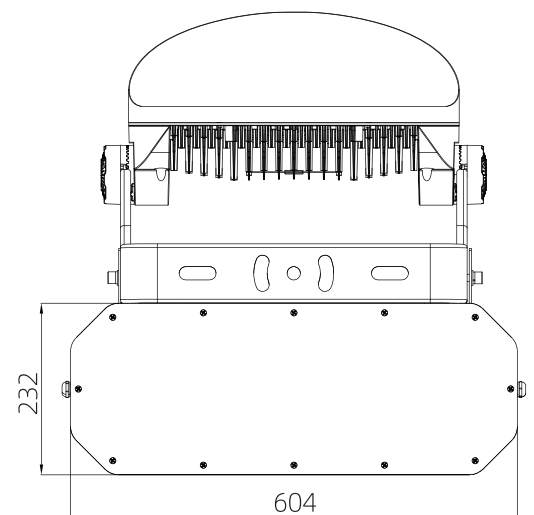
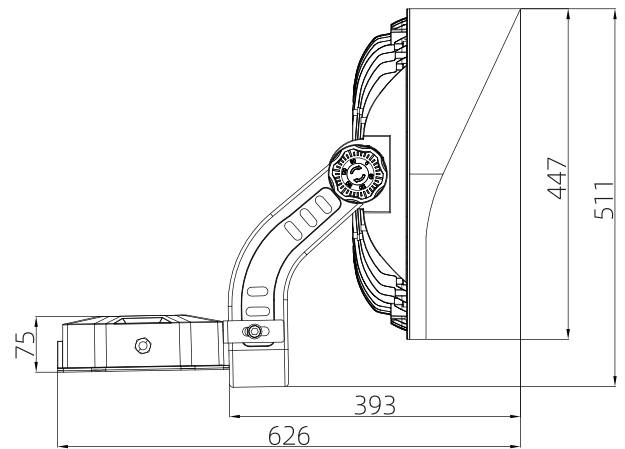
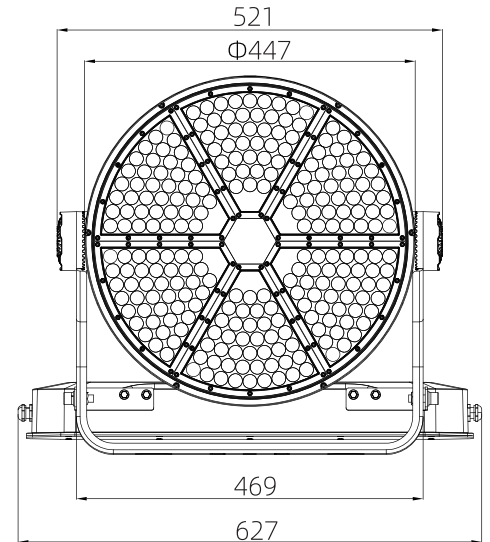
Electrical Data

Driver	SOSEN/MOSO
Input Voltage	AC 100-240V /277V 50 /60Hz
Power Factor	>0.95
SPD	10KV (Default) /20KV on request
THD	<15%
Driver Efficiency	>92%

Others

IP Rating	IP66
Lifespan	100,000Hrs
Housing	Die-Cast Aluminum
Cover Material	PC lens, Glass (Optional)
Fixture Size	521*511*393mm
Carton Size	710*675*355mm
Net Weight	20.05KG
Gross Weight	22.22KG

Product Dimension: mm



ZGSM-FL10-800/1000/1200

Product Dimension: mm

Specifications

Optical Data

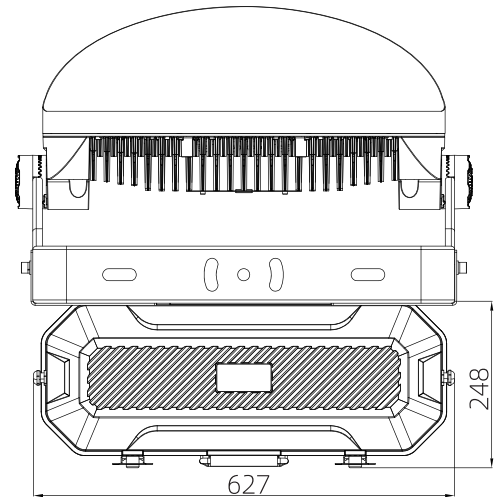
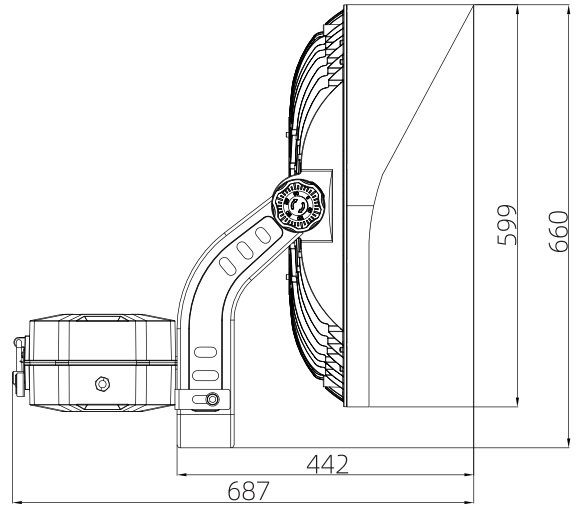
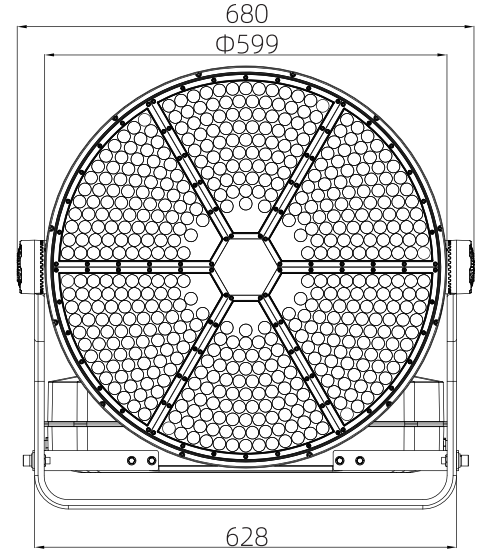
Power	800W/1000W/1200W
CCT	1800K-6500K
Lighting Efficacy	150lm/W±5%
Lumen Flux	120000LM/150000LM/180000LM
LED Brand	LUMILEDS
Qty of LED	3030-1540PCS 3737-504PCS
Beam Angle	3737 For 10°/15° 3030 For 25°/45°/60°/90°

Electrical Data

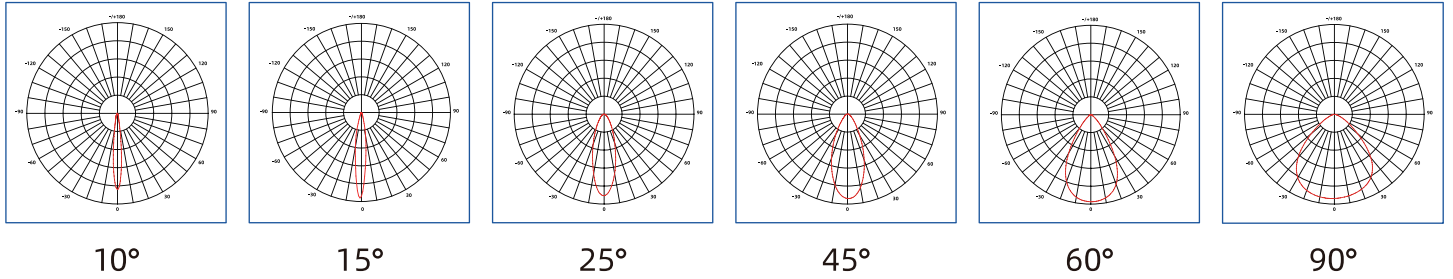
Driver	SOSEN/MOSO
Input Voltage	AC 100-240V /277V 50 /60Hz
Power Factor	>0.95
SPD	10KV (Default) /20KV on request
THD	<15%
Driver Efficiency	>92%

Others

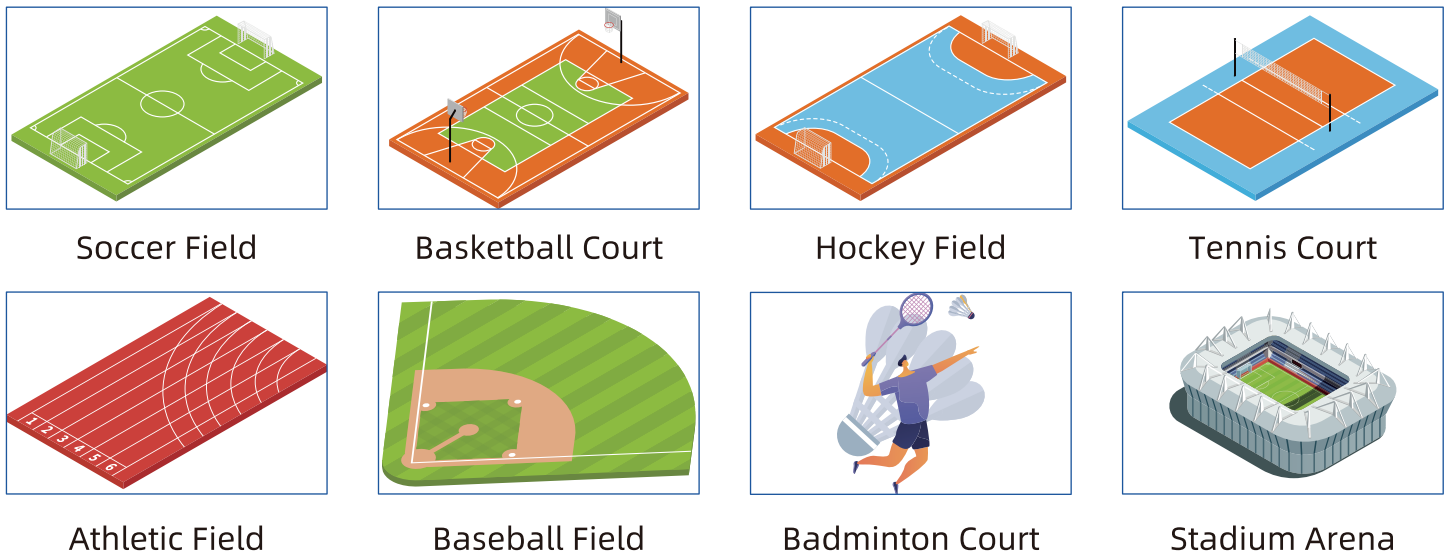
IP Rating	IP66
Lifespan	100,000Hrs
Housing	Die-Cast Aluminum
Cover Material	PC lens, Glass (Optional)
Fixture Size	680*660*442mm
Carton Size	885*730*440mm
Net Weight	33.30KG
Gross Weight	38.10KG



Light Distribution Curve



Application Field



Installation

