

LEAF

LED Street Light

5 YEAR
WARRANTY



Areas of application

- Urban roads
- Express roads
- Town roads
- Residential area roads
- Pedestrian crossings
- Parking areas



Product Benefits

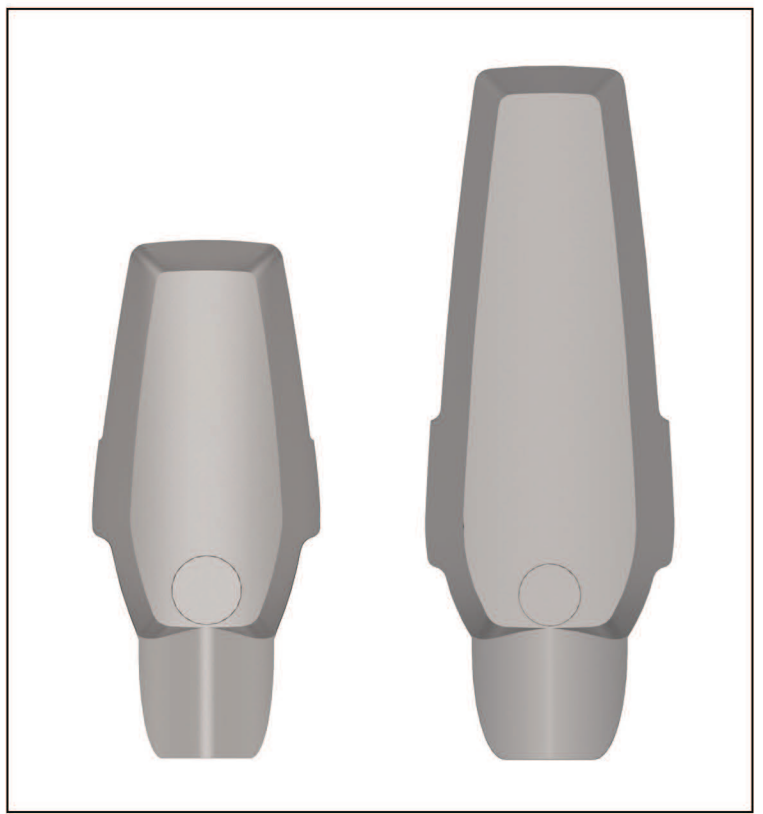
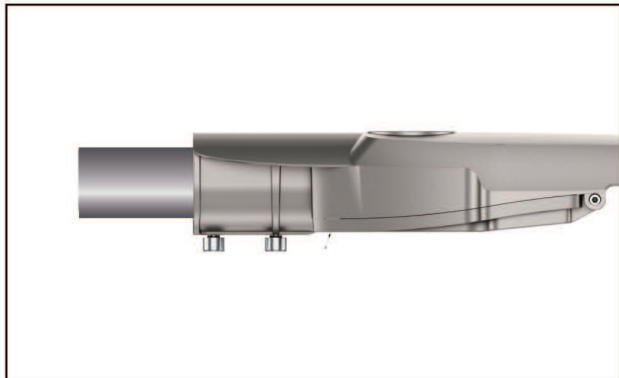
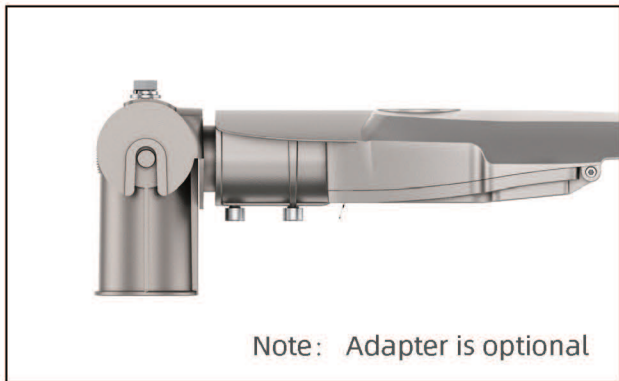
- 70% energy savings, short ROI period
- Up to 100,000hrs @ L70, low maintenance cost
- World-class, certified quality components (LEDs, Drivers, etc.)
- The smooth back of the fixture is designed to prevent dust accumulation
- Tool-less opening of the driver box for ease of maintenance
- 5 years warranty

Product Features

- Luminaire efficacy: Up to 180 lm /w
- Lifetime more than 100,000 hours
- Impact resistance: IK09 /IK10
- Type of protection: IP66



PRODUCT OVERVIEW



PRODUCT DATASHEET

Model	Model No	Power (W)	3030 Version				5050 Version			
			MeanWell		Inventronics		MeanWell		Inventronics	
			Efficiency (lm /w)	Lumen (lm)	Efficiency (lm /w)	Lumen (lm)	Efficiency (lm /w)	Lumen (lm)	Efficiency (lm /w)	Lumen (lm)
Version S	ZGSM-ST22-20S	20	155	3100	145	2900	165	3300	160	3200
	ZGSM-ST22-20S*	20	175	3500	165	3300	180	3600	170	3400
	ZGSM-ST22-30S	30	155	4650	150	4500	170	5100	160	4800
	ZGSM-ST22-30S*	30	175	5250	165	4950	175	5250	170	5100
	ZGSM-ST22-40S	40	155	6200	145	5800	165	6600	160	6400
	ZGSM-ST22-40S*	40	170	6800	160	6400	175	7000	170	6800
	ZGSM-ST22-50S	50	155	7750	150	7500	165	8250	160	8000
	ZGSM-ST22-50S*	50	165	8250	160	8000	175	8750	165	8250
	ZGSM-ST22-60S	60	--	--	155	9300	--	--	165	9900
	ZGSM-ST22-80S	80	--	--	155	12400	--	--	165	13200
Version M	ZGSM-ST22-90M	90	--	--	160	14400	--	--	175	15750
	ZGSM-ST22-90M*	90	--	--	175	15750	--	--	180	16200
	ZGSM-ST22-100M	100	--	--	160	16000	--	--	175	17500
	ZGSM-ST22-100M*	100	--	--	175	17500	--	--	180	18000
	ZGSM-ST22-120M	120	--	--	160	19200	--	--	175	21000
	ZGSM-ST22-150M	150	--	--	160	24000	--	--	175	26250
	ZGSM-ST22-160M	160	--	--	160	25600	--	--	170	27200

-The above values are calculated for products with a CCT greater than 4000K and a CRI of 70. For products with a CCT of less than 4000K, or a CRI greater than 75, the values are approximately 5% lower than those stated above.
 -The above values displayed are subject to a ±5% tolerance.
 -Model No marked with an asterisk (*) denote high-efficiency versions.

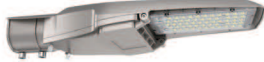
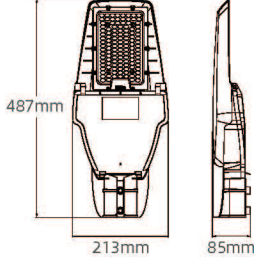
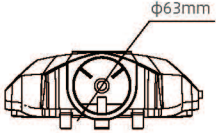

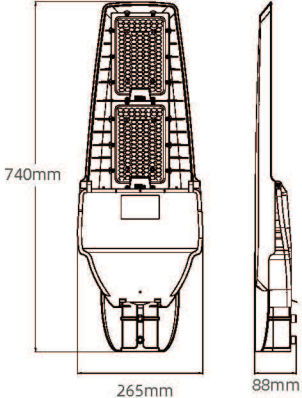
Electrical Data:

Nominal Voltage	AC 100-240V /277V 50 /60Hz
LED	Lumileds
Driver	Meanwell /Inventronics /Other brands on request
Power Factor (PF)	>0.95
THD	<15
SPD	10KV (Default) / 20KV (available on request)
Optics	Type II
Standard Deviation of Color Matching	<5 SDCM
CRI	Ra>70 (Default) / Ra>80
CCT	1800K, 2200K, 2700K, 3000K, 4000K, 5000K, 5700K, 6500K

General Data

Body Material	High pressure die-cast aluminum
Housing Color	Gray-RAL9007 (Default) /Other Colors on request
Cover Material	UV-resistant Polycarbonate
Working Environment	-40°C ~+50°C, 10%~90%RH
Lifespan L70 at 25 °C	>100, 000 h
Mounting Type	Side entry pole mounted
Pole Diameter	50-60mm (suggestion)
Dimmable	1-10V Dimming (Default) /Timer Dimming /DALI Dimming
Protection Class	Class I (Default) /Class II
Certifications & Standards	CE, RoHS, ENEC , CB, LM79, LM80, TM-21, IP66, IK09, IEC62471, IEC60068-2-6, IEC61643-11, Zhaga-D4i
Available on request	NEMA socket (3/5/7pins), ZHAGA socket, Short cap, Photocell, NTC, OLC, Solar Compatible, DALI Dimming, Smart Controller

PRODUCT DATASHEET

Model	Picture	Dimension	
Version S			
Version M			

Fixture Information

Version	Dimension	Weight
S	487 x 213 x 85mm	2.9kgs
M	740 x 265 x 88mm	4.6kgs

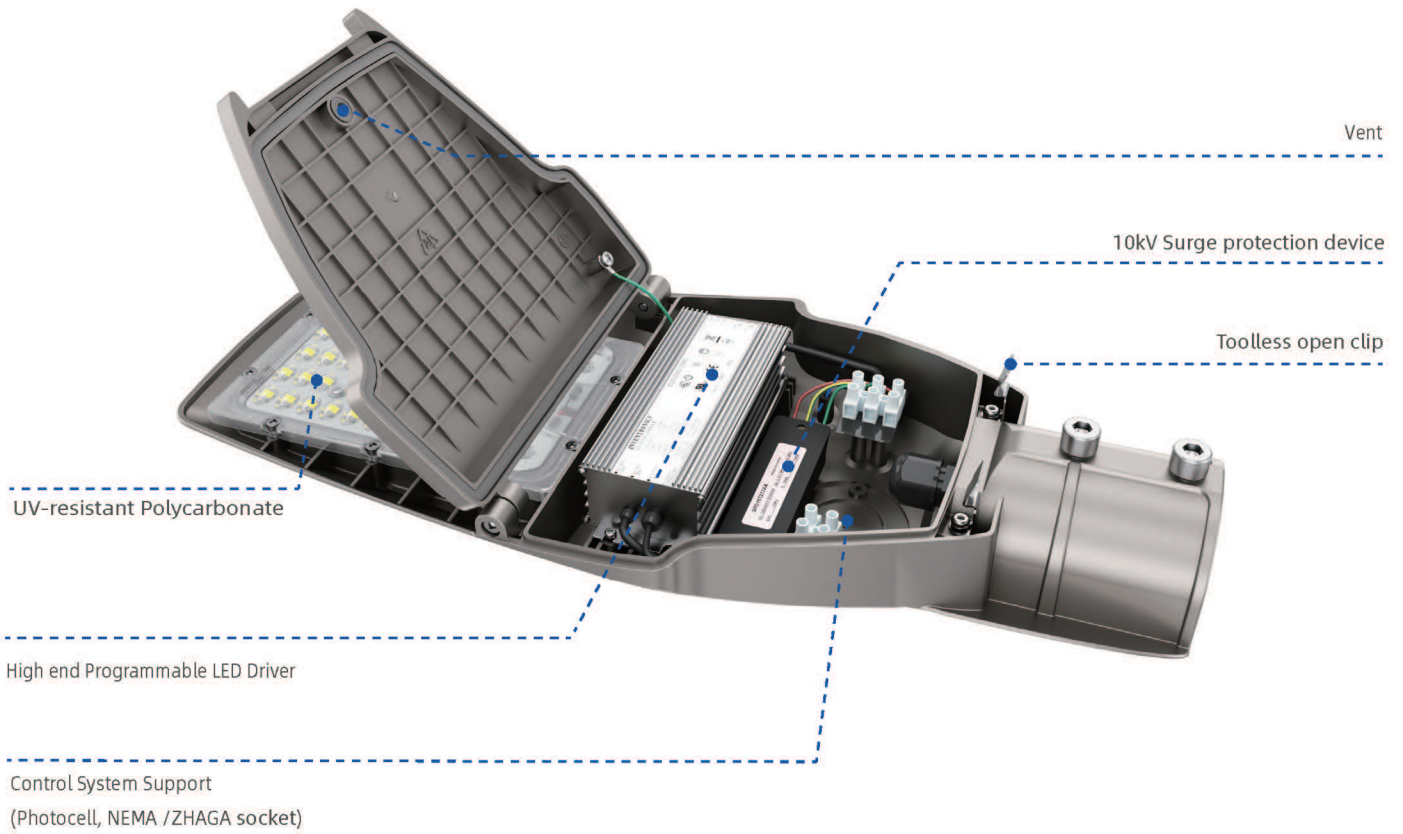
Package Information

Version	Dimension	Weight
S	510 x 230 x 140mm	3.4kgs
M	760 x 280 x 140mm	5.2kgs

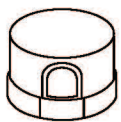


PRODUCT DATASHEET

Structure Drawing:



Optional accessories



Photocell



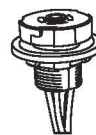
Shorting Cap



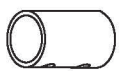
NEMA Socket
(3 /5 /7pin)



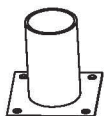
Smart Controller



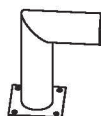
ZHAGA Socket



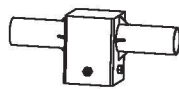
"60-40mm"



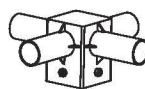
"T" Type



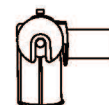
"L" Type



"2" in "1"



"4" in "1"

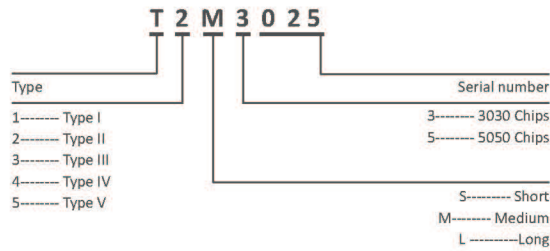


"60-60mm"
"60-80mm"

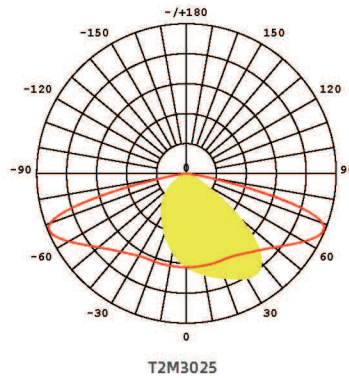
PRODUCT DATASHEET

Light Distributions

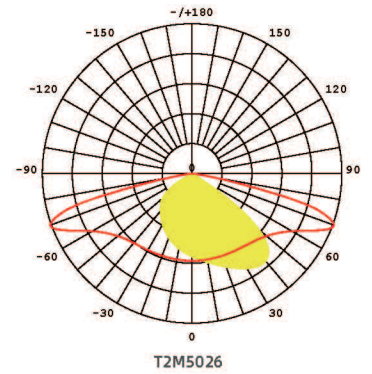
Order reference



3030 Version



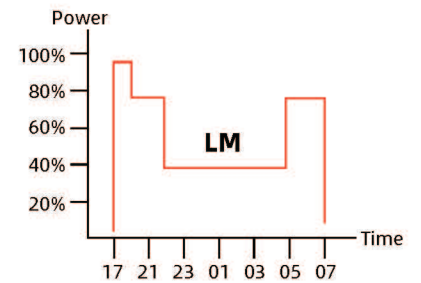
5050 Version



Control Systems

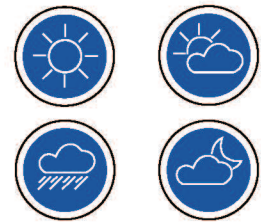
Custom Dimming Profile

Intelligent luminaire drivers can be programmed to follow complex dimming profiles, allowing for customized combinations of time intervals and light levels without the need for extra wiring. The period during which the lights are switched on until they are switched off is used to implement the preset dimming profile. This custom dimming system achieves maximum energy savings while maintaining the required levels of lighting uniformity throughout the night.



Daylight Sensor / Photocell

Photocell or daylight sensors activate the luminaire when natural light drops below a certain level. They can be programmed to switch on during storms, on cloudy days (in critical areas), or only at dusk to ensure safety and comfort in public spaces.



Smart Control System

Luminaire Controller Zhaga (optional):

This is an easy-to-install wireless device designed for remote control of LED luminaires. The device is equipped with Zhaga-compliant connectors and can control luminaires via DALI 2.0 or D4I interfaces. Now supporting LoRaWAN®, ZIGBEE and 4G networks, the controller's modern and compact design is ideal for a variety of street lighting situations.

Luminaire Controller NEMA (optional):

The Luminaire Controller NEMA is a remote LED luminaire control device compatible with ANSI C136.41 NEMA sockets. It can operate fixtures via DALI or 0-10V analog control interfaces and now also supports LoRaWAN®, ZIGBEE and 4G networks. This controller provides a reliable power connection via three rugged twist-lock contacts.

