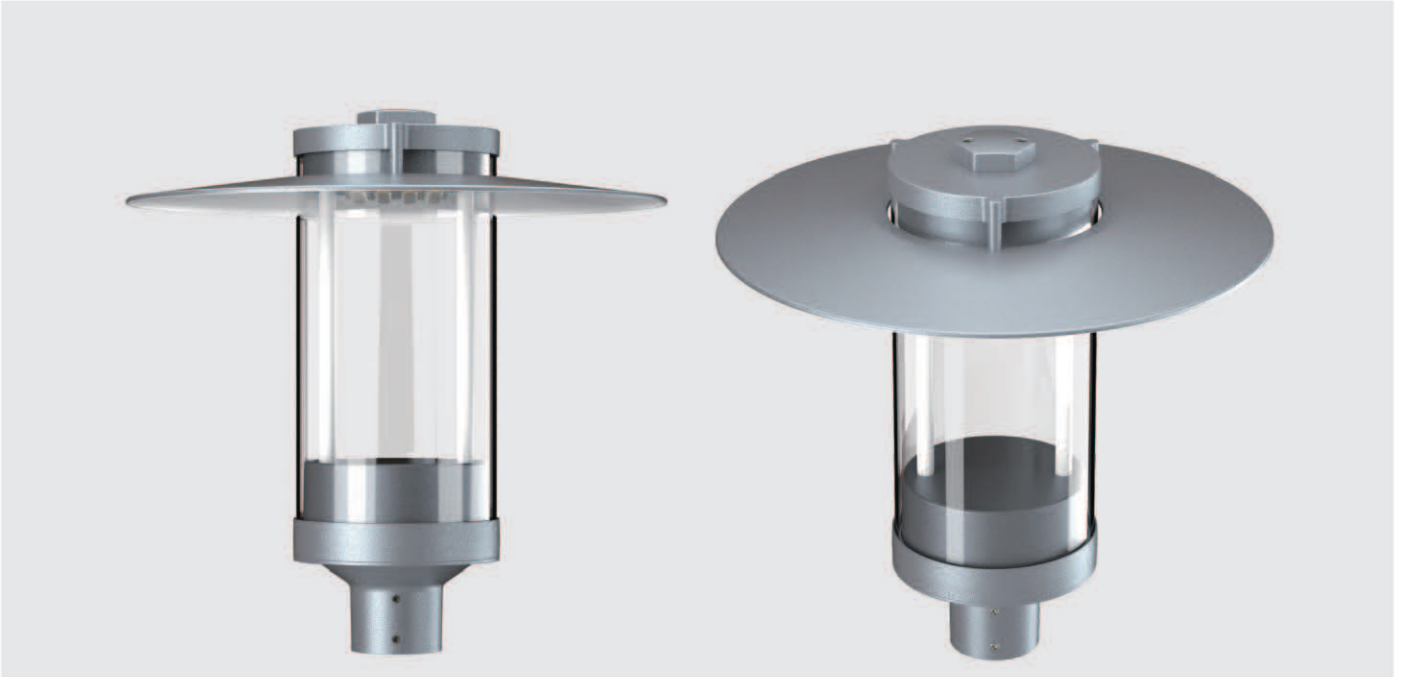


ZG-1022

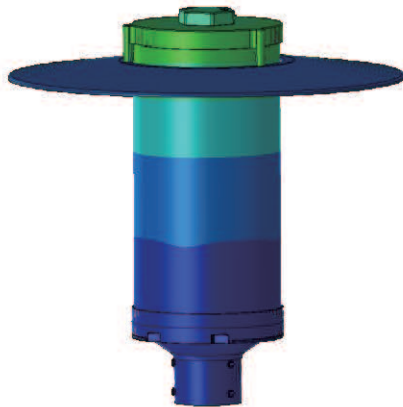
Post Top Luminaires



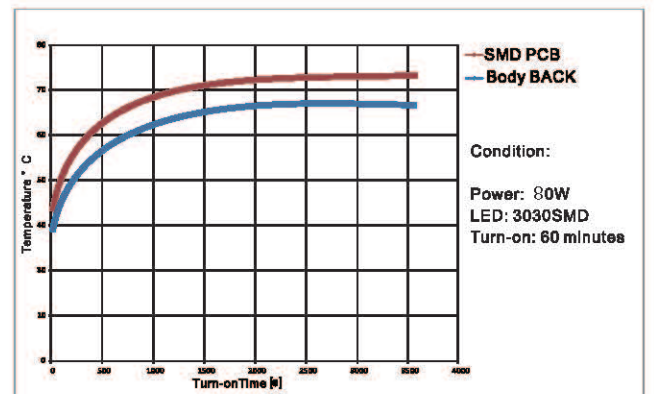


HEAT DISSIPATION PERFORMANCE

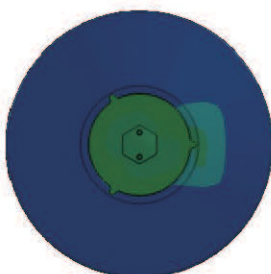
Advanced FEA technology designs for the structure thermal transfer to guarantee the LED PCB and chips can use for long life.



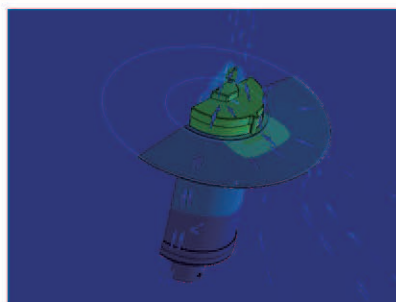
Heat Distribution



Temperature Rise



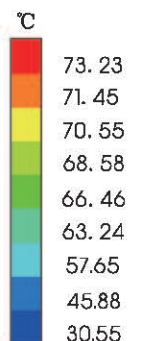
Heat Distribution

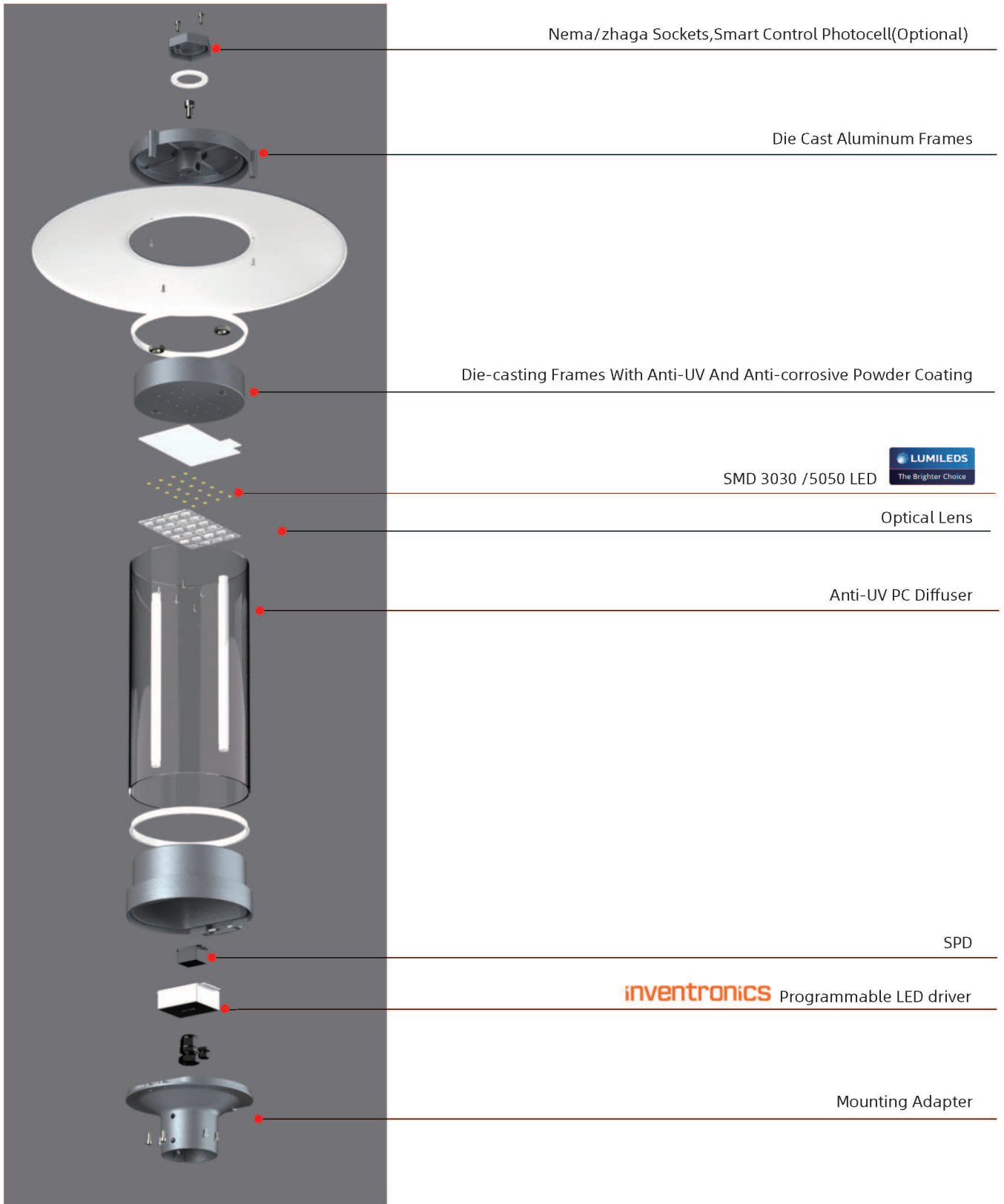


Thermal Effects to Air



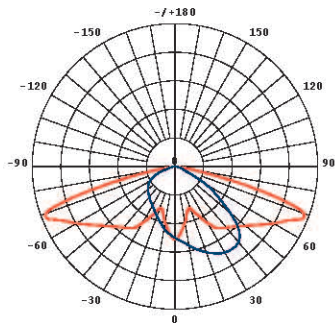
Thermal Air Convection



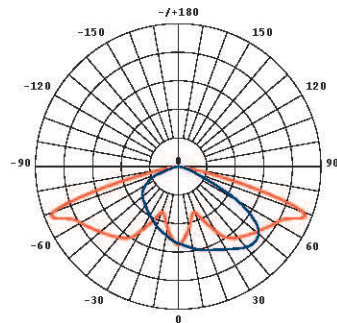


Light Distributions

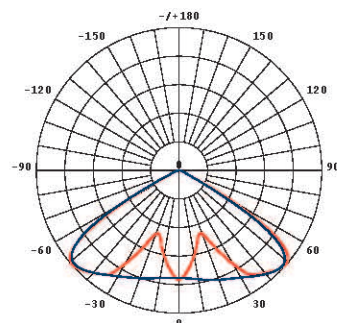
3030 Version



T2M53007

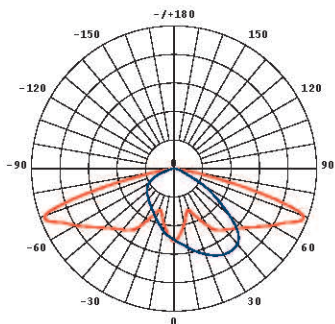


T3M53009

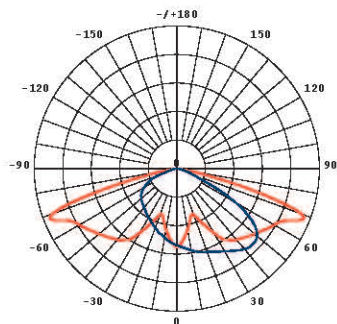


120D53014

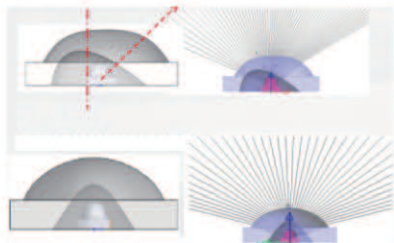
5050 Version



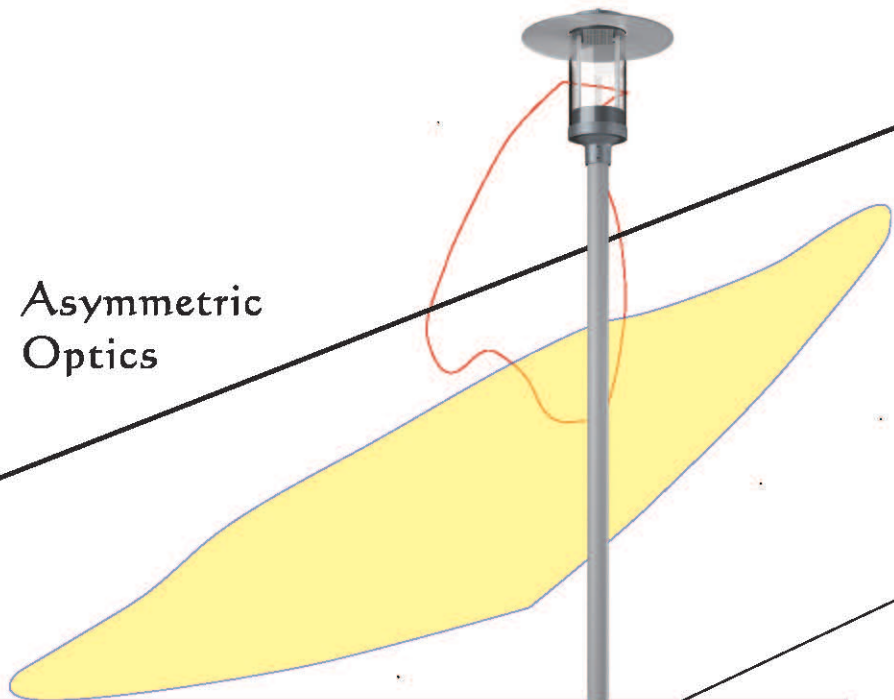
T2M55008



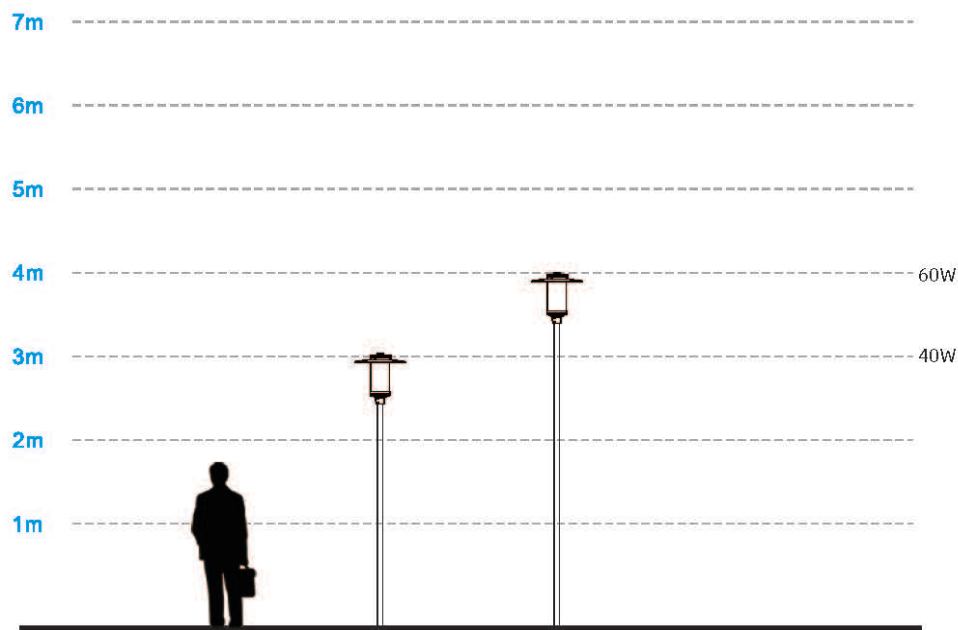
T3M55010



Asymmetric
Optics



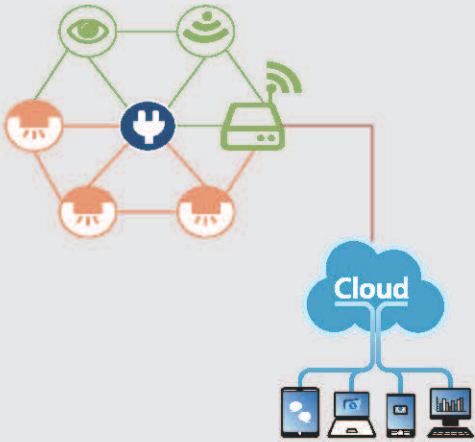
SUGGESTED INSTALLATION HEIGHT



CHARACTERS

Power	40W	60W
Protection Class	CLASS I/II	
IP/IK Rating	IP66, IK08	
Color Temperature	2200K-6500K	2200K-6500K
Efficiency	135-150 LM/W	135-150 LM/W
CRI	70/80	70/80
Input Voltage	AC 90-305V/347V/480V, 50/60Hz	
Driver Suggest	INVENTRONICS EBS, INVENTRONICS EUM	
Dimming	1-10V Dimming (Default) /Timer Dimming	
Surge Recommendation	10KV (Default) / 20KV (available on request)	
LED Type	LUMILEDS SMD LED	
LED Quantities 3030	64	96
Pcb Input Current (3030)	48V 725mA	96V 560mA
LED Quantities 5050	24	24
Pcb Input Current (5050)	66V 520mA	66V 820mA
Mounting	On pole with 76 mm top diameter	
Material	Die casting with standard adc12 type aluminum, tempered glass, stainless 314 clips and screws. Clear polycarbonate with uv-resistant acrylic. Option for screen for asymmetrical light.	
Painting Color Suggest	RAL9007 Aluminum grey /Other Colors on request	
Available on request	NEMA socket (3/5/7pins), ZHAGA socket, Short cap, Photocell, NTC, OLC, DALI Dimming	
Weight	Net weight: 4.9kgs Gross weight: 11.0kgs (2units/ctn)	
Packing Size	550x550x270mm (2units/ctn)	

Smart Control System Optional



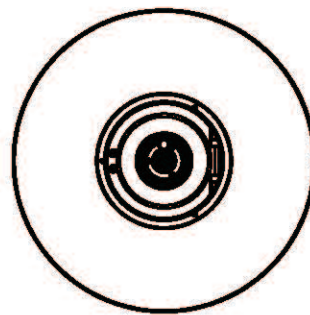
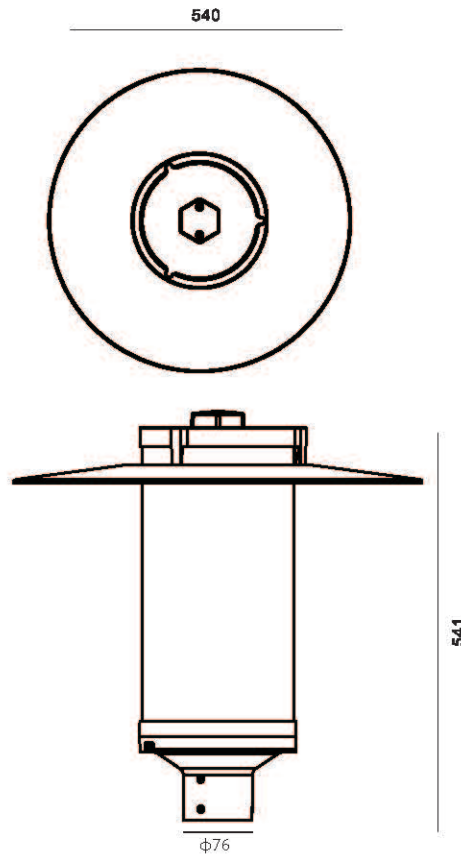
NEMA  **Zhaga**

LoRa   **ZigBee**



IP66  Control current discharge

Unit : mm



L ↔ N **6KV**

 **10KV**