

LED TRAFFIC LIGHT

(2020)



杭州中港数码技术有限公司
HANGZHOU ZGSM TECHNOLOGY CO., LTD

1188 Jinxi Rd.(S.), Lin'an, Hangzhou City, Zhejiang 311301, China

Tel: +86 (571) 63965892

Fax: +86 (571) 63968807

Email: info@zgsm-china.com

www.zgsmlighting.com

 **ZGSM**
SAVE TODAY'S ENERGY FOR TOMORROW

LED Lane Traffic Light



Diameter	Model	LED Qty (Pcs)	Light Intensity (mcd)	Wavelength (nm)	Power (W)	Input Voltage	Visual Angle	Operating Temperature	Housing material
200	CD200-3-ZGSM-1-R	R: 64	5000~7000	625±5	≤5	12V/24V DC 100-240VAC 50/60Hz	<30°	-40~+75°C	PC
300	CD300-3-ZGSM-1-R	R: 96	5000~7000	625±5	≤7				PC Aluminum



Diameter	Model	LED Qty (Pcs)	Light Intensity (mcd)	Wavelength (nm)	Power (W)	Input Voltage	Visual Angle	Operating Temperature	Housing material
200	CD200-3-ZGSM-1-RG	R: 64	5000~7000	625±5	≤5	12V/24V DC 100-240VAC 50/60Hz	<30°	-40~+75°C	PC
		G: 56	8000~13000	500±5					
300	CD300-3-ZGSM-1-RG	R: 96	5000~7000	625±5	≤7	12V/24V DC 100-240VAC 50/60Hz	<30°	-40~+75°C	PC Aluminum
		G: 96	8000~13000	500±5					



Diameter	Model	LED Qty (Pcs)	Light Intensity (mcd)	Wavelength (nm)	Power (W)	Input Voltage	Visual Angle	Operating Temperature	Housing material
200	CD200-3-ZGSM-2-RG	R: 64	5000~7000	625±5	≤5	12V/24V DC 100-240VAC 50/60Hz	<30°	-40~+75°C	PC
		G: 64	8000~13000	500±5					
300	CD300-3-ZGSM-2-RG	R: 96	5000~7000	625±5	≤5	12V/24V DC 100-240VAC 50/60Hz	<30°	-40~+75°C	PC Aluminum
		G: 96	8000~13000	500±5					



LED Arrow Traffic Light



Diameter	Model	LED Qty (Pcs)	Light Intensity (mcd)	Wavelength (nm)	Power (W)	Input Voltage	Visual Angle	Operating Temperature	Housing material
200	FX200-3-ZGSM-1-R	R: 64	5000~7000	625±5	≤5	12V/24V DC 100-240VAC 50/60Hz	<30°	-40~+75°C	PC
300	FX300-3-ZGSM-1-R	R: 96	5000~7000	625±5	≤5				PC Aluminum



Diameter	Model	LED Qty (Pcs)	Light Intensity (mcd)	Wavelength (nm)	Power (W)	Input Voltage	Visual Angle	Operating Temperature	Housing material
200	FX200-3-ZGSM-1-G	G: 64	8000~13000	500±5	≤5	12V/24V DC 100-240VAC 50/60Hz	<30°	-40~+75°C	PC
300	FX300-3-ZGSM-1-G	G: 96	8000~13000	500±5	≤7				PC Aluminum



Diameter	Model	LED Qty (Pcs)	Light Intensity (mcd)	Wavelength (nm)	Power (W)	Input Voltage	Visual Angle	Operating Temperature	Housing material
200	FX200-3-ZGSM-1-Y	Y: 64	5000~7000	590±5	≤5	12V/24V DC 100-240VAC 50/60Hz	<30°	-40~+75°C	PC
300	FX300-3-ZGSM-1-Y	Y: 96	5000~7000	590±5	≤5				PC Aluminum



Diameter	Model	LED Qty (Pcs)	Light Intensity (mcd)	Wavelength (nm)	Power (W)	Input Voltage	Visual Angle	Operating Temperature	Housing material
300	FX300-3-ZGSM-1-LR	R: 96	5000~7000	625±5	≤5	12V/24V DC 100-240VAC 50/60Hz	<30°	-40~+75°C	PC Aluminum



Diameter	Model	LED Qty (Pcs)	Light Intensity (mcd)	Wavelength (nm)	Power (W)	Input Voltage	Visual Angle	Operating Temperature	Housing material
300	FX300-3-ZGSM-1-LG	G: 96	8000~13000	500±5	≤7	12V/24V DC 100-240VAC 50/60Hz	<30°	-40~+75°C	PC Aluminum

Arrow Traffic Light



Diameter	Model	LED Qty (Pcs)	Light Intensity (mcd)	Wavelength (nm)	Power (W)	Input Voltage	Visual Angle	Operating Temperature	Housing material
300	FX300-3-ZGSM-1-LY	Y: 96	5000~7000	590±5	≤5	12V/24V DC 100-240VAC 50/60Hz	<30°	-40~+75°C	PC Aluminum



Diameter	Model	LED Qty (Pcs)	Light Intensity (mcd)	Wavelength (nm)	Power (W)	Input Voltage	Visual Angle	Operating Temperature	Housing material
300	FX300-3-ZGSM-1-LR	R: 96	5000~7000	625±5	≤5	12V/24V DC 100-240VAC 50/60Hz	<30°	-40~+75°C	PC Aluminum



Diameter	Model	LED Qty (Pcs)	Light Intensity (mcd)	Wavelength (nm)	Power (W)	Input Voltage	Visual Angle	Operating Temperature	Housing material
300	FX300-3-ZGSM-1-LG	G: 96	8000~13000	500±5	≤7	12V/24V DC 100-240VAC 50/60Hz	<30°	-40~+75°C	PC Aluminum



Diameter	Model	LED Qty (Pcs)	Light Intensity (mcd)	Wavelength (nm)	Power (W)	Input Voltage	Visual Angle	Operating Temperature	Housing material
300	FX300-3-ZGSM-1-RY	Y: 96	5000~7000	590±5	≤5	12V/24V DC 100-240VAC 50/60Hz	<30°	-40~+75°C	PC Aluminum

LED Arrow Traffic Light



Diameter	Model	LED Qty (Pcs)	Light Intensity (mcd)	Wavelength (nm)	Power (W)	Input Voltage	Visual Angle	Operating Temperature	Housing material
200	FX200-3-ZGSM-2-RG	R: 64	5000~7000	625±5	≤5	12V/24V DC 100-240VAC 50/60Hz	<30°	-40~+75°C	PC
		G: 64	8000~13000	500±5	≤5				
300	FX300-3-ZGSM-2-RG	R: 96	5000~7000	625±5	≤5	12V/24V DC 100-240VAC 50/60Hz	<30°	-40~+75°C	PC Aluminum
		G: 96	8000~13000	500±5	≤7				



Diameter	Model	LED Qty (Pcs)	Light Intensity (mcd)	Wavelength (nm)	Power (W)	Input Voltage	Visual Angle	Operating Temperature	Housing material
300	FX300-3-ZGSM-2-L-RG	R: 96	5000~7000	625±5	≤5	12V/24V DC 100-240VAC 50/60Hz	<30°	-40~+75°C	PC Aluminum
		G: 96	8000~13000	500±5	≤7				



Diameter	Model	LED Qty (Pcs)	Light Intensity (mcd)	Wavelength (nm)	Power (W)	Input Voltage	Visual Angle	Operating Temperature	Housing material
300	FX300-3-ZGSM-2-L-RG	R: 96	5000~7000	625±5	≤5	12V/24V DC 100-240VAC 50/60Hz	<30°	-40~+75°C	PC Aluminum
		G: 96	8000~13000	500±5	≤7				



Diameter	Model	LED Qty (Pcs)	Light Intensity (mcd)	Wavelength (nm)	Power (W)	Input Voltage	Visual Angle	Operating Temperature	Housing material
300	FX300-3-ZGSM-2-R-RG	R: 96	5000~7000	625±5	≤5	12V/24V DC 100-240VAC 50/60Hz	<30°	-40~+75°C	PC Aluminum
		G: 96	8000~13000	500±5	≤7				



Diameter	Model	LED Qty (Pcs)	Light Intensity (mcd)	Wavelength (nm)	Power (W)	Input Voltage	Visual Angle	Operating Temperature	Housing material
300	FX300-3-ZGSM-2-R-RG	R: 96	5000~7000	625±5	≤5	12V/24V DC 100-240VAC 50/60Hz	<30°	-40~+75°C	PC Aluminum
		G: 96	8000~13000	500±5	≤7				



LED Arrow Traffic Light



Diameter	Model	LED Qty (Pcs)	Light Intensity (mcd)	Wavelength (nm)	Power (W)	Input Voltage	Visual Angle	Operating Temperature	Housing material
200	CD200-3-ZGSM-3-RYG	R: 64	5000~7000	625±5	≤5	12V/24V DC 100-240VAC 50/60Hz	<30°	-40~+75°C	PC
		Y: 64	5000~7000	590±5					
		G: 64	8000~13000	500±5					
300	CD300-3-ZGSM-3-RYG	R: 96	5000~7000	625±5	≤5	12V/24V DC 100-240VAC 50/60Hz	<30°	-40~+75°C	PC Aluminum
		Y: 96	5000~7000	590±5	≤5				
		G: 96	8000~13000	500±5	≤7				



Diameter	Model	LED Qty (Pcs)	Light Intensity (mcd)	Wavelength (nm)	Power (W)	Input Voltage	Visual Angle	Operating Temperature	Housing material
300	FX300-3-ZGSM-3-L-RYG	R: 96	5000~7000	625±5	≤5	12V/24V DC 100-240VAC 50/60Hz	<30°	-40~+75°C	PC Aluminum
		Y: 96	5000~7000	590±5	≤5				
		G: 96	8000~13000	500±5	≤7				



Diameter	Model	LED Qty (Pcs)	Light Intensity (mcd)	Wavelength (nm)	Power (W)	Input Voltage	Visual Angle	Operating Temperature	Housing material
300	FX300-3-ZGSM-3-R-RYG	R: 96	5000~7000	625±5	≤5	12V/24V DC 100-240VAC 50/60Hz	<30°	-40~+75°C	PC Aluminum
		Y: 96	5000~7000	590±5	≤5				
		G: 96	8000~13000	500±5	≤7				

LED Arrow Traffic Light



Diameter	Model	LED Qty (Pcs)	Light Intensity (mcd)	Wavelength (nm)	Power (W)	Input Voltage	Visual Angle	Operating Temperature	Housing material
300	FX300-3-ZGSM-3-R288G	R: Arrow: 96 Countdown: 140	5000~7000	625±5	≤5 ≤2	12V/24V DC 100-240VAC 50/60Hz	<30°	-40~+75°C	PC Aluminum
		G: Arrow: 96 Countdown: 140	8000~13000	500±5	≤7 ≤2				



Diameter	Model	LED Qty (Pcs)	Light Intensity (mcd)	Wavelength (nm)	Power (W)	Input Voltage	Visual Angle	Operating Temperature	Housing material
300	FX300-3-ZGSM-3-R288YG	R: Arrow: 96 Countdown: 140	5000~7000	625±5	≤5 ≤2	12V/24V DC 100-240VAC 50/60Hz	<30°	-40~+75°C	PC Aluminum
		Y: 96	5000~7000	590±5	≤5				
		G: Arrow: 96 Countdown: 140	8000~13000	500±5	≤5 ≤2				

LED Driveway Traffic Light



Diameter	Model	LED Qty (Pcs)	Light Intensity (mcd)	Wavelength (nm)	Power (W)	Input Voltage	Visual Angle	Operating Temperature	Housing material
200	JD200-3-ZGSM-1-R	R: 96	5000~7000	625±5	≤5	12V/24V DC 100-240VAC 50/60Hz	<30°	-40~+75°C	PC
300	FX300-3-ZGSM-1-R	R: 168	5000~7000	625±5	≤8				PC Aluminum



Diameter	Model	LED Qty (Pcs)	Light Intensity (mcd)	Wavelength (nm)	Power (W)	Input Voltage	Visual Angle	Operating Temperature	Housing material
200	JD200-3-ZGSM-1-G	G: 96	8000~13000	500±5	≤7	12V/24V DC 100-240VAC 50/60Hz	<30°	-40~+75°C	PC
300	JD300-3-ZGSM-1-G	G: 168	8000~13000	500±5	≤8				PC Aluminum



Diameter	Model	LED Qty (Pcs)	Light Intensity (mcd)	Wavelength (nm)	Power (W)	Input Voltage	Visual Angle	Operating Temperature	Housing material
200	JD200-3-ZGSM-1-Y	Y: 96	5000~7000	590±5	≤5	12V/24V DC 100-240VAC 50/60Hz	<30°	-40~+75°C	PC
300	JD300-3-ZGSM-1-Y	Y: 168	5000~7000	590±5	≤8				PC Aluminum



Diameter	Model	LED Qty (Pcs)	Light Intensity (mcd)	Wavelength (nm)	Power (W)	Input Voltage	Visual Angle	Operating Temperature	Housing material
200	JD200-3-ZGSM-2-RG	R: 96 G: 96	5000~7000 8000~13000	625±5 500±5	≤5	12V/24V DC 100-240VAC 50/60Hz	<30°	-40~+75°C	PC
300	JD300-3-ZGSM-2-RG	R: 168 G: 168	5000~7000 8000~13000	625±5 500±5	≤8 ≤10				PC Aluminum



LED Driveway Traffic Light



Diameter	Model	LED Qty (Pcs)	Light Intensity (mcd)	Wavelength (nm)	Power (W)	Input Voltage	Visual Angle	Operating Temperature	Housing material
200	JD200-3-ZGSM-3-RYG	R: 96	5000~7000	625±5	≤5	12V/24V DC 100-240VAC 50/60Hz	<30°	-40~+75°C	PC
		Y: 96	5000~7000	590±5					
		G: 96	8000~13000	500±5					
300	JD300-3-ZGSM-3-RYG	R: 168	5000~7000	625±5	≤8	12V/24V DC 100-240VAC 50/60Hz	<30°	-40~+75°C	PC Aluminum
		Y: 168	5000~7000	590±5	≤8				
		G: 168	8000~13000	500±5	≤10				



Diameter	Model	LED Qty (Pcs)	Light Intensity (mcd)	Wavelength (nm)	Power (W)	Input Voltage	Visual Angle	Operating Temperature	Housing material
300	JD300-3-ZGSM-3-R288G	R: Arrow: 168 Countdown: 140	5000~7000	625±5	≤8 ≤2	12V/24V DC 100-240VAC 50/60Hz	<30°	-40~+75°C	PC Aluminum
		G: Arrow: 168 Countdown: 140	8000~13000	500±5	≤10 ≤2				



Diameter	Model	LED Qty (Pcs)	Light Intensity (mcd)	Wavelength (nm)	Power (W)	Input Voltage	Visual Angle	Operating Temperature	Housing material
300	JD300-3-ZGSM-4-RYG288	R: Arrow: 168 Countdown: 140	5000~7000	625±5	≤8 ≤2	12V/24V DC 100-240VAC 50/60Hz	<30°	-40~+75°C	PC Aluminum
		Y: 168	5000~7000	590±5	≤8				
		G: Arrow: 168 Countdown: 140	8000~13000	500±5	≤10 ≤2				

LED Driveway Traffic Light



Diameter	Model	LED Qty (Pcs)	Light Intensity (mcd)	Wavelength (nm)	Power (W)	Input Voltage	Visual Angle	Operating Temperature	Housing material
300	JD300-3-ZGSM-3-R388G	R: Arrow: 168 Countdown: 140	5000~7000	625±5	≤8 ≤2	12V/24V DC 100-240VAC 50/60Hz	<30°	-40~+75°C	PC Aluminum
		Y: 84	5000~7000	590±5	≤2				
		G: Arrow: 168 Countdown: 140	8000~13000	500±5	≤10 ≤2				



Diameter	Model	LED Qty (Pcs)	Light Intensity (mcd)	Wavelength (nm)	Power (W)	Input Voltage	Visual Angle	Operating Temperature	Housing material
300	JD300-3-ZGSM-3-R288YG	R: Arrow: 168 Countdown: 140	5000~7000	625±5	≤8 ≤2	12V/24V DC 100-240VAC 50/60Hz	<30°	-40~+75°C	PC Aluminum
		Y: 168	5000~7000	590±5	≤8				
		G: Arrow: 168 Countdown: 140	8000~13000	500±5	≤10 ≤2				

LED Bicycleway Traffic Light



Diameter	Model	LED Qty (Pcs)	Light Intensity (mcd)	Wavelength (nm)	Power (W)	Input Voltage	Visual Angle	Operating Temperature	Housing material
300	FJ300-3-ZGSM-2-RG	R: 88	5000~7000	625±5	≤5	12V/24V DC 100-240VAC 50/60Hz	<30°	-40~+75°C	PC Aluminum
		G: 88	8000~13000	500±5	≤7				



Diameter	Model	LED Qty (Pcs)	Light Intensity (mcd)	Wavelength (nm)	Power (W)	Input Voltage	Visual Angle	Operating Temperature	Housing material
300	FJ300-3-ZGSM-3-RYG	R: 88	5000~7000	625±5	≤5	12V/24V DC 100-240VAC 50/60Hz	<30°	-40~+75°C	PC Aluminum
		Y: 88	5000~7000	590±5	≤5				
		G: 88	8000~13000	500±5	≤7				



Diameter	Model	LED Qty (Pcs)	Light Intensity (mcd)	Wavelength (nm)	Power (W)	Input Voltage	Visual Angle	Operating Temperature	Housing material
300	FJ300-3-ZGSM-3-R288G	R: Bicycle: 88 Countdown: 140	5000~7000	625±5	≤5 ≤2	12V/24V DC 100-240VAC 50/60Hz	<30°	-40~+75°C	PC Aluminum
		G: Bicycle: 88 Countdown: 140	8000~13000	500±5	≤7 ≤2				

LED Pedestrian Traffic Light



Diameter	Model	LED Qty (Pcs)	Light Intensity (mcd)	Wavelength (nm)	Power (W)	Input Voltage	Visual Angle	Operating Temperature	Housing material
200	RX200-3-ZGSM-1-R	R: 64	5000~7000	625±5	≤5	12V/24V DC 100-240VAC 50/60Hz	<30°	-40~+75°C	PC
300	RX300-3-ZGSM-1-R	R: 80	5000~7000	625±5	≤5				PC Aluminum



Diameter	Model	LED Qty (Pcs)	Light Intensity (mcd)	Wavelength (nm)	Power (W)	Input Voltage	Visual Angle	Operating Temperature	Housing material
200	RX200-3-ZGSM-1-G	G: 56	8000~13000	500±5	≤5	12V/24V DC 100-240VAC 50/60Hz	<30°	-40~+75°C	PC
300	RX300-3-ZGSM-1-G	G: 64	8000~13000	500±5	≤5				PC Aluminum



Diameter	Model	LED Qty (Pcs)	Light Intensity (mcd)	Wavelength (nm)	Power (W)	Input Voltage	Visual Angle	Operating Temperature	Housing material
300	RX300-3-ZGSM-1-RS	R: 96	5000~7000	625±5	≤5	12V/24V DC 100-240VAC 50/60Hz	<30°	-40~+75°C	PC Aluminum



Diameter	Model	LED Qty (Pcs)	Light Intensity (mcd)	Wavelength (nm)	Power (W)	Input Voltage	Visual Angle	Operating Temperature	Housing material
200	RX200-3-ZGSM-2-RG	R: 64	5000~7000	625±5	≤5	12V/24V DC 100-240VAC 50/60Hz	<30°	-40~+75°C	PC
300	RX300-3-ZGSM-2-RG	R: 80	5000~7000	625±5					≤8
		G: 56	8000~13000	500±5					
		G: 64	8000~13000	500±5					



LED Pedestrian Traffic Light



Diameter	Model	LED Qty (Pcs)	Light Intensity (mcd)	Wavelength (nm)	Power (W)	Input Voltage	Visual Angle	Operating Temperature	Housing material
300	RX300-3-ZGSM-2-RSG	R: 96	5000~7000	625±5	≤5	12V/24V DC 100-240VAC 50/60Hz	<30°	-40~+75°C	PC Aluminum
		G: 64	8000~13000	500±5	≤5				



Diameter	Model	LED Qty (Pcs)	Light Intensity (mcd)	Wavelength (nm)	Power (W)	Input Voltage	Visual Angle	Operating Temperature	Housing material
200	RX200-3-ZGSM-2-RGD	R: 60	5000~7000	625±5	≤5	12V/24V DC 100-240VAC 50/60Hz	<30°	-40~+75°C	PC
300	RX300-3-ZGSM-2-RGD	R: 80	5000~7000	625±5					≤8
		G: 84	8000~13000	500±5					
		G: 102	8000~13000	500±5					

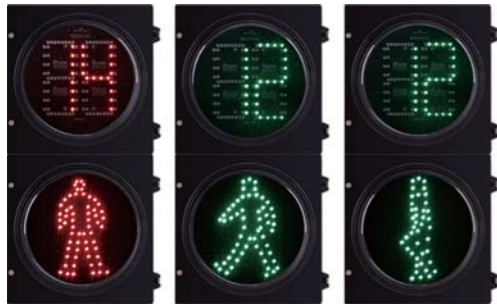


Diameter	Model	LED Qty (Pcs)	Light Intensity (mcd)	Wavelength (nm)	Power (W)	Input Voltage	Visual Angle	Operating Temperature	Housing material
300	RX300-3-ZGSM-2-RGD288	R: Man: 80 Countdown: 140	5000~7000	625±5	≤8 ≤2	12V/24V DC 100-240VAC 50/60Hz	<30°	-40~+75°C	PC Aluminum
		G: Man: 102 Countdown: 140	8000~13000	500±5	≤8 ≤2				

LED Pedestrian Traffic Light



Diameter	Model	LED Qty (Pcs)	Light Intensity (mcd)	Wavelength (nm)	Power (W)	Input Voltage	Visual Angle	Operating Temperature	Housing material
200	RX200-3-ZGSM-2-RG288	R: Man: 64 Countdown: 56	5000~7000	625±5	≤5 ≤2	12V/24V DC 100-240VAC 50/60Hz	<30°	-40~+75°C	PC Aluminum
		G: Man: 56 Countdown: 56	8000~13000	500±5	≤5 ≤2				



Diameter	Model	LED Qty (Pcs)	Light Intensity (mcd)	Wavelength (nm)	Power (W)	Input Voltage	Visual Angle	Operating Temperature	Housing material
200	RX200-3-ZGSM-2-RGD288	R: Man: 60 Countdown: 56	5000~7000	625±5	≤5 ≤2	12V/24V DC 100-240VAC 50/60Hz	<30°	-40~+75°C	PC Aluminum
		G: Man: 84 Countdown: 56	8000~13000	500±5	≤5 ≤2				

LED U-Turn Traffic Light



Diameter	Model	LED Qty (Pcs)	Light Intensity (mcd)	Wavelength (nm)	Power (W)	Input Voltage	Visual Angle	Operating Temperature	Housing material
300	DT300-3-ZGSM-1-R	R: 96	5000~7000	625±5	≤5	12V/24V DC 100-240VAC 50/60Hz	<30°	-40~+75°C	PC Aluminum



Diameter	Model	LED Qty (Pcs)	Light Intensity (mcd)	Wavelength (nm)	Power (W)	Input Voltage	Visual Angle	Operating Temperature	Housing material
300	DT300-3-ZGSM-1-G	G: 96	8000~13000	500±5	≤7	12V/24V DC 100-240VAC 50/60Hz	<30°	-40~+75°C	PC Aluminum



Diameter	Model	LED Qty (Pcs)	Light Intensity (mcd)	Wavelength (nm)	Power (W)	Input Voltage	Visual Angle	Operating Temperature	Housing material
300	DT300-3-ZGSM-1-Y	Y: 96	5000~7000	590±5	≤5	12V/24V DC 100-240VAC 50/60Hz	<30°	-40~+75°C	PC Aluminum



Diameter	Model	LED Qty (Pcs)	Light Intensity (mcd)	Wavelength (nm)	Power (W)	Input Voltage	Visual Angle	Operating Temperature	Housing material
300	DT300-3-ZGSM-1-LR	R: 96	5000~7000	625±5	≤5	12V/24V DC 100-240VAC 50/60Hz	<30°	-40~+75°C	PC Aluminum



Diameter	Model	LED Qty (Pcs)	Light Intensity (mcd)	Wavelength (nm)	Power (W)	Input Voltage	Visual Angle	Operating Temperature	Housing material
300	DT300-3-ZGSM-1-LG	G: 96	8000~13000	500±5	≤7	12V/24V DC 100-240VAC 50/60Hz	<30°	-40~+75°C	PC Aluminum

LED U-Turn Traffic Light



Diameter	Model	LED Qty (Pcs)	Light Intensity (mcd)	Wavelength (nm)	Power (W)	Input Voltage	Visual Angle	Operating Temperature	Housing material
300	DT300-3-ZGSM-1-LY	Y: 96	5000~7000	590±5	≤5	12V/24V DC 100-240VAC 50/60Hz	<30°	-40~+75°C	PC Aluminum



Diameter	Model	LED Qty (Pcs)	Light Intensity (mcd)	Wavelength (nm)	Power (W)	Input Voltage	Visual Angle	Operating Temperature	Housing material
300	DT300-3-ZGSM-2-RG	R: 96	5000~7000	625±5	≤5	12V/24V DC 100-240VAC 50/60Hz	<30°	-40~+75°C	PC Aluminum
		G: 96	8000~13000	500±5	≤7				



Diameter	Model	LED Qty (Pcs)	Light Intensity (mcd)	Wavelength (nm)	Power (W)	Input Voltage	Visual Angle	Operating Temperature	Housing material
300	DT300-3-ZGSM-2-L-RG	R: 96	5000~7000	625±5	≤5	12V/24V DC 100-240VAC 50/60Hz	<30°	-40~+75°C	PC Aluminum
		G: 96	8000~13000	500±5	≤7				



LED U-Turn Traffic Light



Diameter	Model	LED Qty (Pcs)	Light Intensity (mcd)	Wavelength (nm)	Power (W)	Input Voltage	Visual Angle	Operating Temperature	Housing material
300	DT300-3-ZGSM-3-RYG	R: 96	5000~7000	625±5	≤5	12V/24V DC 100-240VAC 50/60Hz	<30°	-40~+75°C	PC Aluminum
		Y: 96	5000~7000	590±5	≤5				
		G: 96	8000~13000	500±5	≤7				



Diameter	Model	LED Qty (Pcs)	Light Intensity (mcd)	Wavelength (nm)	Power (W)	Input Voltage	Visual Angle	Operating Temperature	Housing material
300	DT300-3-ZGSM-3-L-RYG	R: 96	5000~7000	625±5	≤5	12V/24V DC 100-240VAC 50/60Hz	<30°	-40~+75°C	PC Aluminum
		Y: 96	5000~7000	590±5	≤5				
		G: 96	8000~13000	500±5	≤7				



Diameter	Model	LED Qty (Pcs)	Light Intensity (mcd)	Wavelength (nm)	Power (W)	Input Voltage	Visual Angle	Operating Temperature	Housing material
300	DT300-3-ZGSM-3-R288G	R: Turn Arrow: 96 Countdown: 140	5000~7000	625±5	≤5 ≤2	12V/24V DC 100-240VAC 50/60Hz	<30°	-40~+75°C	PC Aluminum
		G: Turn Arrow: 96 Countdown: 140	8000~13000	500±5	≤7 ≤2				

LED U-Turn Traffic Light



Diameter	Model	LED Qty (Pcs)	Light Intensity (mcd)	Wavelength (nm)	Power (W)	Input Voltage	Visual Angle	Operating Temperature	Housing material
300	DT300-3-ZGSM-3-L-R288G	R: Turn Arrow: 96 Countdown: 140	5000~7000	625±5	≤5 ≤2	12V/24V DC 100-240VAC 50/60Hz	<30°	-40~+75°C	PC Aluminum
		G: Turn Arrow: 96 Countdown: 140	8000~13000	500±5	≤7 ≤2				



Diameter	Model	LED Qty (Pcs)	Light Intensity (mcd)	Wavelength (nm)	Power (W)	Input Voltage	Visual Angle	Operating Temperature	Housing material
300	DT300-3-ZGSM-3-R388G	R: Turn Arrow: 96 Countdown: 140	5000~7000	625±5	≤5 ≤2	12V/24V DC 100-240VAC 50/60Hz	<30°	-40~+75°C	PC Aluminum
		Y: 84	5000~7000	590±5	≤2				
		G: Turn Arrow: 96 Countdown: 140	8000~13000	500±5	≤7 ≤2				

LED U-Turn Traffic Light

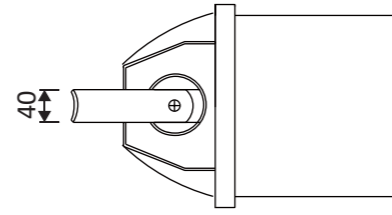
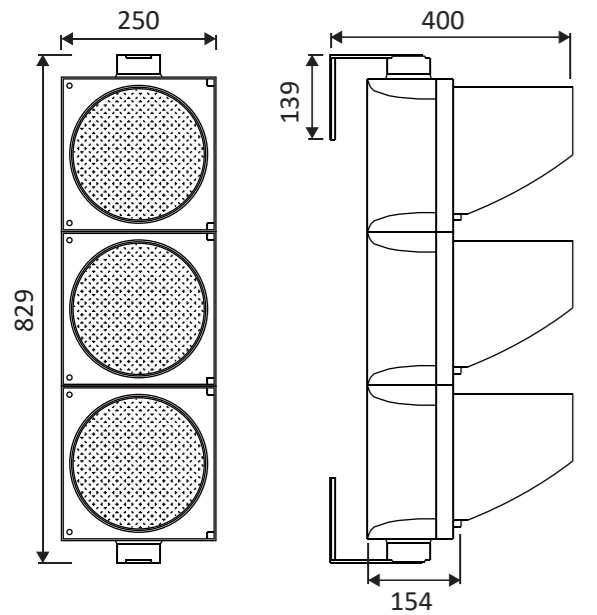
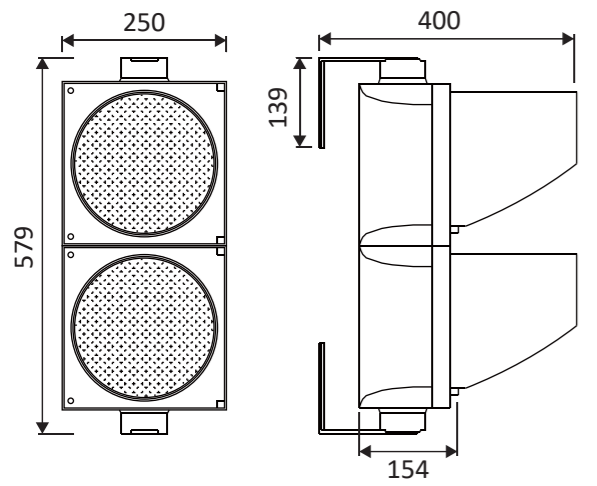
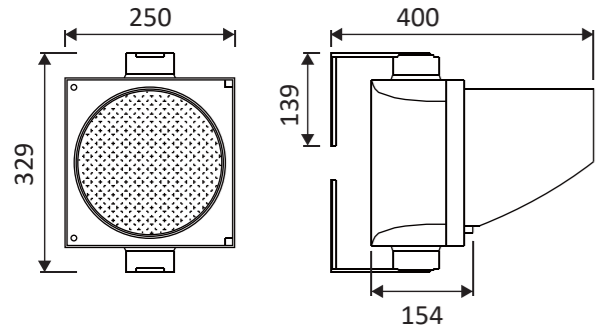


Diameter	Model	LED Qty (Pcs)	Light Intensity (mcd)	Wavelength (nm)	Power (W)	Input Voltage	Visual Angle	Operating Temperature	Housing material
300	DT300-3-ZGSM-3-L-R388G	R: Turn Arrow: 96 Countdown: 140	5000~7000	625±5	≤5 ≤2	12V/24V DC 100-240VAC 50/60Hz	<30°	-40~+75°C	PC Aluminum
		Y: 84	5000~7000	590±5	≤2				
		G: Turn Arrow: 96 Countdown: 140	8000~13000	500±5	≤7 ≤2				

Packing Details

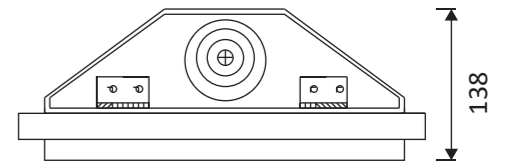
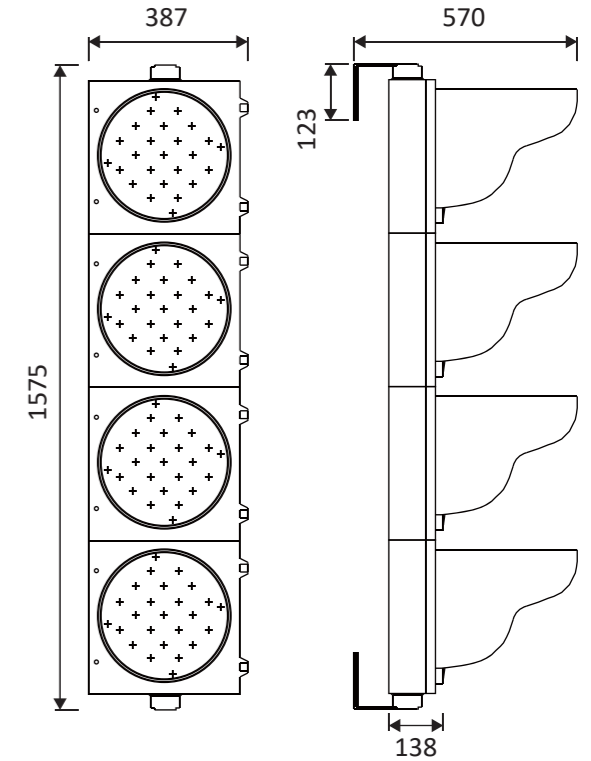
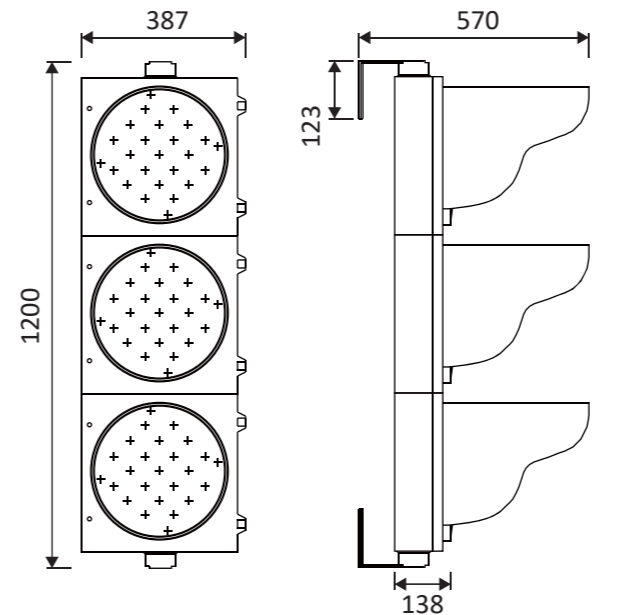
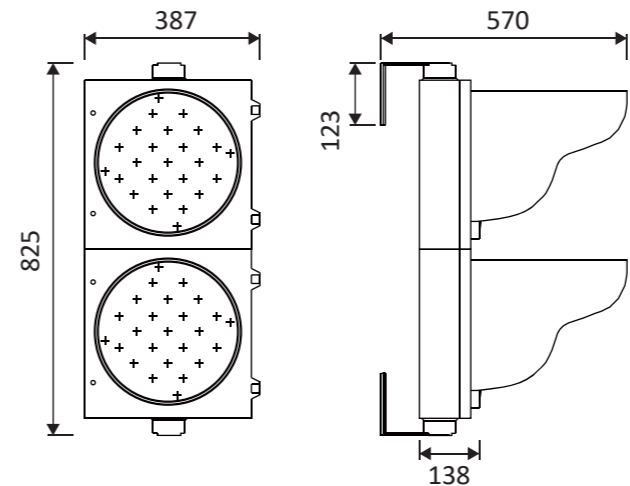
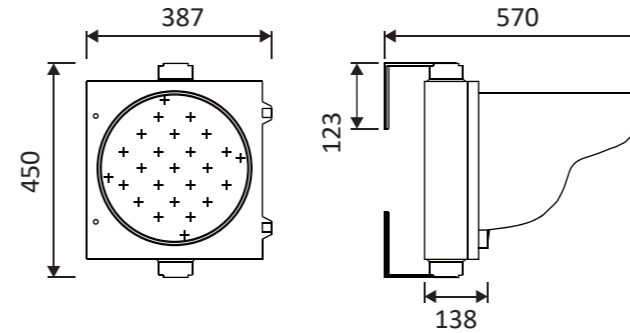
Module	Qty	200mm		300mm	
		Packing Dimension	Packing Weight	Packing Dimension	Packing Weight (single) PC /Aluminum
1	4	530 x390 x290 mm	15.5 kg	820 x380 x440 mm	21.0 kg 28.0 kg
2	2	530 x390 x290 mm	12.7 kg	820 x380 x440 mm	19.5 kg 25.5 kg
3	2	770 x390 x290 mm	16.5 kg	1190 x380 x440 mm	27.5 kg 36.5 kg
4	2	/	/	1560 x380 x440 mm	35.5 kg 47.5 kg

200mm Dimension



Dimensions in mm

300mm Dimension



Dimensions in mm

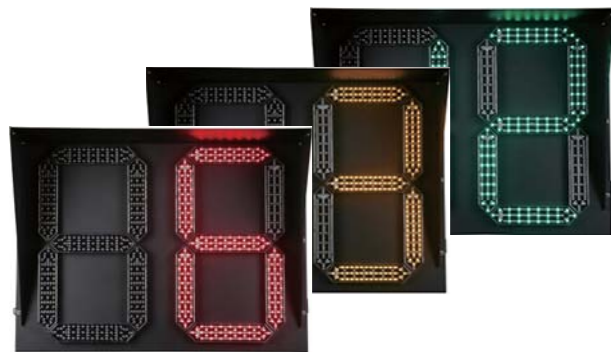
LED Countdown Traffic Light



Diameter	Model	LED Qty (Pcs)	Light Intensity (mcd)	Wavelength (nm)	Power (W)	Input Voltage	Visual Angle	Operating Temperature	Housing material
200	DJS200-3-ZGSM-1-288	R: 56	5000~7000	625±5	≤2	12V/24V DC 100-240VAC 50/60Hz	<30°	-40~+75°C	PC
		G: 56	8000~13000	500±5	≤2				



Diameter	Model	LED Qty (Pcs)	Light Intensity (mcd)	Wavelength (nm)	Power (W)	Input Voltage	Visual Angle	Operating Temperature	Housing material
300	DJS300-3-ZGSM-1-288	R: 140	5000~7000	625±5	≤2	12V/24V DC 100-240VAC 50/60Hz	<30°	-40~+75°C	PC Aluminum
		G: 140	8000~13000	500±5	≤2				



Diameter	Model	LED Qty (Pcs)	Light Intensity (mcd)	Wavelength (nm)	Power (W)	Input Voltage	Visual Angle	Operating Temperature	Housing material
800 x600	DJS800-3-ZGSM-1-388	R: 546	5000~7000	625±5	≤8	12V/24V DC 100-240VAC 50/60Hz	<30°	-40~+75°C	PC Aluminum
		Y: 294	5000~7000	590±5	≤8				
		G: 336	8000~13000	500±5	≤10				

Solar flash light



Product Functions And Features:

Suitable for highway, bridge, viaduct and traffic alerts spaces
 Four level auto-dimming according to environment brightness and battery voltage.
 High-efficiency of light to electricity transforming.
 Perfect battery protect circuit to extend the battery life span.

Diameter	Model	Color	Qty of LED	luminance or light Intensity	Flashing rate	Input Voltage	W.T.(°C)	Housing Material
200	HS200-3-ZGSM-1-Y	Yellow	60Pcs	> 300cd	50±5times/min	DC11V/12.8V	-40~ +80°C	PC
	HS200-3-ZGSM-1-R	Red	60Pcs	> 300cd	50±5times/min			
300	HS300-3-ZGSM-1-Y	Yellow	99Pcs	> 460cd	50±5times/min	DC11V/12.8V	-40~ +80°C	PC
	HS300-3-ZGSM-1-R	Red	99Pcs	> 460cd	50±5times/min			

Lithium Battery: 6600mAH /11V Li-ion Iron Battery:3000mAH /12.8V Consecutive rainy workday: ≥7days

Packing Details

Model	Qty	Packing Dimension	Packing Weight
DJS200-3-ZGSM-1-288	4	530 x390 x290 mm	15.5 kg (PC)
DJS300-3-ZGSM-1-288	4	820 x380 x440 mm	21.0 kg (PC)
DJS800-3-ZGSM-1-388	1	880 x670 x180 mm	25.02 (iron)
HS200-3-ZGSM-1-Y /R	1	420 x430 x360 mm	6.5 kg (PC)
HS300-3-ZGSM-1-Y /R	1	520 x410 x370 mm	8.3 kg (PC)

Traffic Signal Controller

44 Output Intelligent TrafficSignal Controller



Product Functions And Features:

- Built-in central control system, more reliable and stable.
- Outdoor cabinet equipped with lighting protection and power filtering device.
- Easy for maintenance and function extension by adopting modular design.
- 2*24 work periods for workday and holiday setting.
- 32 working menus can be adjusted in any period time.
- Each menu can include 24 steps and each step time set 1-255s.
- The flashing state of each traffic light can be set and time can be adjusted.
- Yellow flashing time at night can be set as customer want.
- Able to enter emergent yellow flashing state at any time.
- Manual control can be achieved by random and current running menu.

Technical Parameters:

Executive Standard	GB25280-2010	Each Output drive Capability	2A
Working Voltage	AC110 /220V	Working Frequency	47Hz~63Hz
Working Temperature	-40°C ~80°C	Relative Humidity	Insulation value
Insulation value	≥1 00MQ	Time Error	Error /year <2 .5 minutes
Setting Plan Saving Time	≥10years	Inner Cabinet Dimension	472.6 *215.3 *280mm
Outer Cabinet Dimension	H950 *W550 *D440mm		

Fixed-Time Traffic

Item No.	Working Voltage	Working Frequency	Rated drive current in each way	No-load power	Output Channel
XHJ- AW-GA-FMADAN	AC110 /220V±20%	47 ~63Hz	2A	<10W	44
XHJ- AW-GA-FMADCN	AC110 /220V±20%	47~63Hz	2A	<10W	22

22 Output Intelligent TrafficSignal Controller



Traffic Signal Controller

5 Outputs Independent Traffic Controller (For Pedestrian Crossing)



Technical Parameters:

Executive Standard	GB25280-2010	Each Output drive Capability	500W
Working Voltage	AC110 /220V(DC12 /24V)	Working Frequency	47Hz~63Hz
Working Temperature	-40°C~80°C	Relative Humidity	<98%
Insulation value	≥100MQ	Time Error	Error /year <2.5 minutes
Cabinet Dimension	640 *480 *120mm		

BLINDMAN CLOCK & PEDESTRIAN PUSH BUTTON Blindman Clock & Acoustic Pedestrian Device Designed For Blind Men



Product Functions And Features:

- Stable and reliable working, easy to install.
- Controller adopt modular design, convenient for maintenance and function expansion.
- Can be extended to RS 485.
- Can be adjusted, checking and setting when controller running.
- Have operation panel, easy to setting .
- Simple wire connection.

Product Functions And Features:

- Multi operation period with built-in high-precision clock chip, free from interruption of power-down mode and less than 2.5-minute yearly operation error.
- Connected to control box for instant parameter adjustment; Adopting highly efficient CLASS D power amplifier circuit.
- Available to adjust the volume among 81 grades by control box and when the volume is 0, power amplifier will work in silence without any noise.
- Able to pre-store different settings and then send them to be received at the same time.
- With guide-way design and convenient installation.
- Connected to control box by USB interface and easy for setup; Voice prompt message can be customized.

Technical Parameters:

Maximum Peak Work Power	<18W	Voice Prompt Rate(Red Light)	70±5 Times/Min
Maximum Average Work Power	<8W	Voice Prompt Rate(Green Light)	700±50 Times/Min
Input Voltage	AC85V~264V	Work Temperature	-40°C~80°C
Setting Mode	By Control Box	Volume Setting	0-80
IP Grade	IP65	Period	1-9

Pedestrian Crossing Button

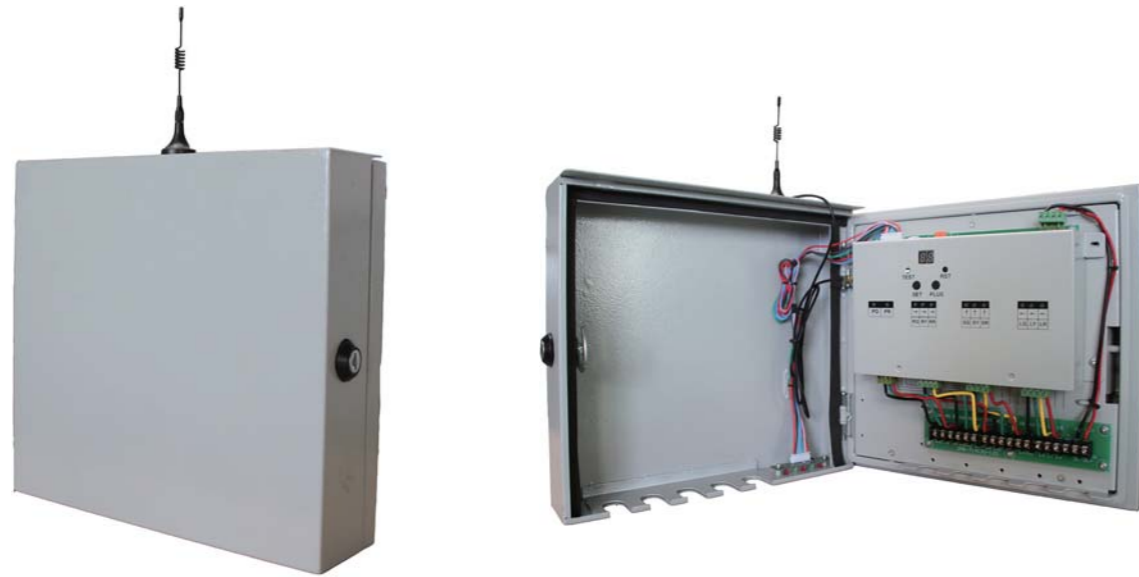


Pedestrian Crossing Button

- Model:KH-AN-FM01
- The product is made of high strength casing and high quality components,so waterproof,moisture-proof anti-surge, anti-lightning and antistatic.Fama through rigorous manufacturing and testing process, Ensure that products safe and reliable operating inharshe environments.
- Technical parameters Working voltage: AC220V
- Operating Temperature:-40°C~80°C

Traffic Signal Controller

Solar Wireless Traffic Controller



Product Functions And Features:

Working voltage range: 10V-30V DC.

Low power consumption (master controller/slave controller: less than 1W under 12V DC while 1.5W under 24V DC).

Adopt 1 pcs master controller with 8pcs slave controller maximum.

Each master controller/slave controller has 11 outputs channels maximum (4 control phases).

Over-voltage protection for master controller/slave controller; the power supply will shut down when input is over 36V.

CPU control and driving output adopt modular design, easy maintenance and repair; CPU adopts MCU chips from US, with build-in watch-dog circuit to assure its stability.

Driving output adopts MOSFET(40mQ low internal resistance MOS type); separate fuse on each phase.

Wireless communication adopts ISM frequency band, no need for permission.



Technical Parameters:

Working Voltage	DC12 /24V(Compliant Automatically)	No-load Power of Hosts and Auxiliary	<1W(@DC12)& <1.5W(@DC24)
Over-current Protect Value	35V±2V	Communication Mode of Hosts and Auxiliary	Wireless
Wireless Communication Modulation Style	GFSK	Wireless Communication Frequency	490MHZ
Wireless Communication Baud Rate	9600bps	Wireless Transmit Power	≤100mw
Time and Sequence of Motor Light Runs	All Red (can be set)→Green→Green Flashing(can be set)→Yellow→Red	Time and Sequence of Pedestrian Light Runs	All Red (can be set)→Green→Green Flashing(can be set)→Red
Wireless Communication Distance	> 600m	Rated Drive Current for Each Output	5A
Resistance to Surge Current for Each Output	≥100A	The Largest Independent Output Channel of Hosts or Auxiliary	11
The Largest Independent Output Phase of Hosts or Auxiliary	4	Collocation way (one unit)	Master controller QTY 1pcs Slave controller QTY(Collocated by Crossing) 0~8pcs
The Menu can be Adjustable	32	Menu can be set by user (Operational Phase Timing Plan)	30
The Steps can be set per Menu	16	The Maximum Duration can be set every day	16
The timing setting range for single step	1~255S	The setting range for all red settling time	0~5S
The setting range for yellow settling time	0~9S	The setting range for green flashing	0~9S
Working Temperature	-20°C~ +80°C	The setting range for green flashing	<98%
Save option scheme (when power off)	≥10years	Time Error	Error /year <2.5min
Box Size	300 *280 *80mm		

Projects

