

STELLAR LED Flood Light



Areas of application

- Replacement for floodlights of halogen flood lights
- Garages
- Public areas
- Building facades
- Construction areas
- Billboard

Product Benefits

- Ideal for retro-fit of existing halogen fixtures
- No upper light output ratio (ULOR 0%) when mounted at 0° tilt
- Optimized weight and size due to compact design
- Energy savings of up to 90 % compared to halogen flood lights
- No mercury or other hazardous materials
- 2 years warranty

Product Features

- Luminaire efficacy: up to 120 lm/w
- Symmetrical beam angle: 110° x 110°
- Angled (30°) mounting bracket and up to 180° tilting
- Type of protection: IP66
- Impact resistance: IK08
- Available with PIR Sensor



Product Datasheet

Electrical Specifications:

| Model No. | ZGSM-FL08-10 | ZGSM-FL08-20 | ZGSM-FL08-30 | ZGSM-FL08-50 |
|-------------------|-----------------------|--------------|--------------|--------------|
| Nominal Wattage | 10W | 20W | 30W | 50W |
| Nominal Voltage | AC 220-240V | | | |
| Mains Frequency | 50 /60Hz | | | |
| LED | SMD2835 | | | |
| Driver | Integrated LED driver | | | |
| Power Factor (PF) | > 0.95 | | | |
| THD | < 15 | | | |
| SPD | 2KV | | | |

Photometric Specifications:

| | ZGSM-FL08-10 | ZGSM-FL08-20 | ZGSM-FL08-30 | ZGSM-FL08-50 |
|--------------------------------------|--------------|--------------|--------------|--------------|
| Luminous Efficacy (±5%) | 120 lm /w | 120 lm /w | 115 lm /w | 115 lm /w |
| Lumen Output (±5%) | 1200 lm | 2400 lm | 3450 lm | 5750 lm |
| Optic | 110° x110° | | | |
| Standard Deviation of Color Matching | <5 SDCM | | | |
| CRI | 80 | | | |
| CCT | 4000K, 5000K | | | |

Dimension & Weight

| | ZGSM-FL08-10 | ZGSM-FL08-20 | ZGSM-FL08-30 | ZGSM-FL08-50 |
|------------------------|---------------|---------------|---------------|---------------|
| Fixture Dimension (mm) | 88 x27 x112 | 108 x27 x137 | 134 x31 x161 | 171 x32 x207 |
| Fixture Weight (kg) | 0.2 | 0.3 | 0.5 | 0.8 |
| Packing Type | 36units /ctn | 30units /ctn | 20units /ctn | 12units /ctn |
| Packing Dimension (mm) | 335 x250 x210 | 360 x190 x315 | 350 x205 x300 | 370 x245 x235 |
| Packing Weight (kg) | 8.6 | 10.6 | 11.8 | 11.1 |

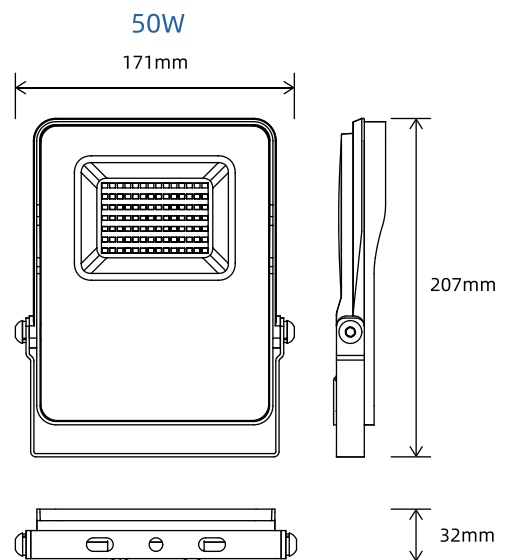
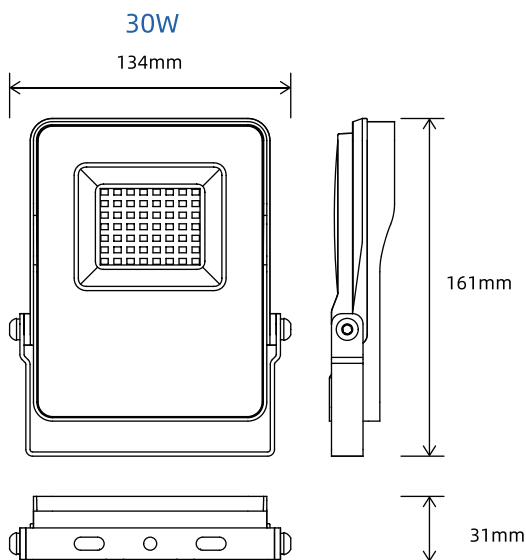
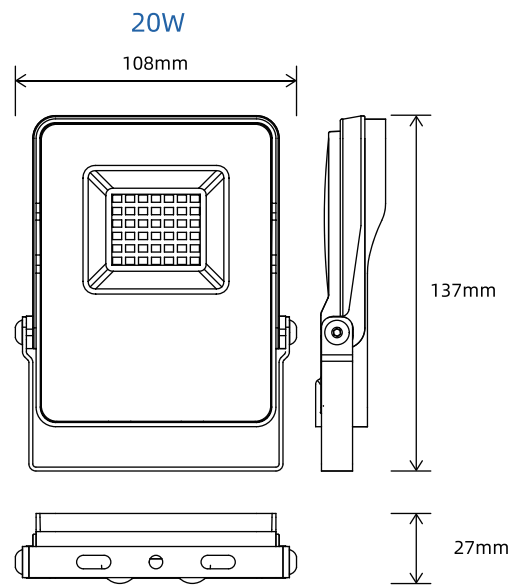
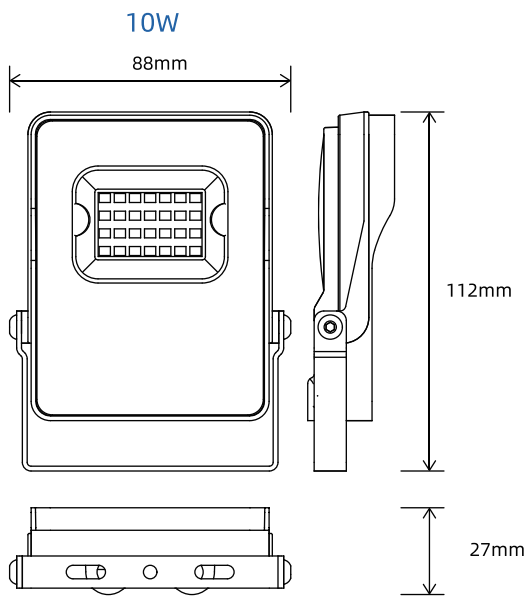
Mechanical Specifications

| | |
|----------------------------|----------------------------|
| Body Material | Aluminum |
| Housing Color | Black |
| Cover Material | Tempered glass |
| Cable Length | 200 mm |
| Ambient Temperature Range | -40°C ~ +50°C |
| Number of Switching Cycles | 100, 000 |
| Lifespan L70 at 25 °C | 50000 h |
| Mounting Type | Surface |
| Mounting Location | Wall /Pole /Floor /Ceiling |
| Adjustable | Yes |
| Dimmable | No |
| Type of Connection | Cable, 3-pole |
| LED Module Replaceable | Not replaceable |

Certificates & standards

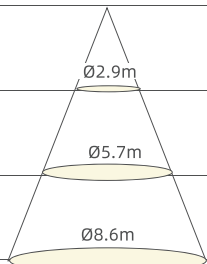
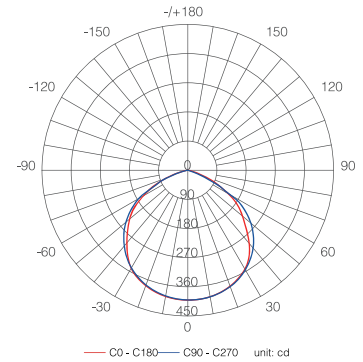
| | |
|--|----------|
| Protection Class IK (shock resistance) | IK08 |
| Protection Class | Class I |
| Type of Protection | IP66 |
| Standards | CE /RoHS |

Dimension



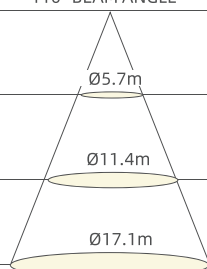
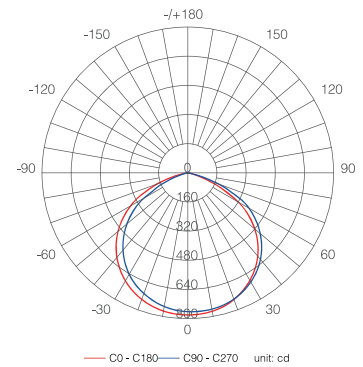
10 WATTS

| DISTANCE | 110° BEAM ANGLE | LUX (AVG) |
|----------|-----------------|-----------|
| 1m | Ø2.9m | 130 lx |
| 2m | Ø5.7m | 32 lx |
| 3m | Ø8.6m | 14 lx |

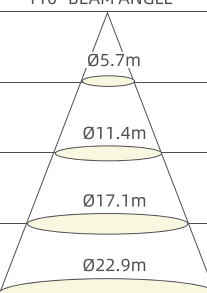
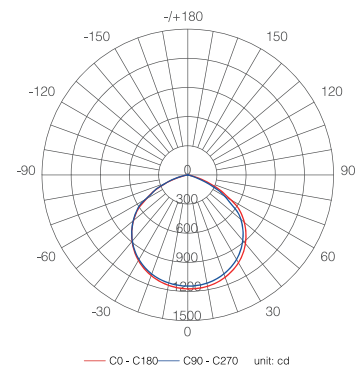
20 WATTS

| DISTANCE | 110° BEAM ANGLE | LUX (AVG) |
|----------|-----------------|-----------|
| 2m | Ø5.7m | 63 lx |
| 4m | Ø11.4m | 16 lx |
| 6m | Ø17.1m | 7 lx |

30 WATTS

| DISTANCE | 110° BEAM ANGLE | LUX (AVG) |
|----------|-----------------|-----------|
| 2m | Ø5.7m | 95 lx |
| 4m | Ø11.4m | 24 lx |
| 6m | Ø17.1m | 11 lx |
| 8m | Ø22.9m | 6 lx |

50 WATTS

| DISTANCE | 110° BEAM ANGLE | LUX (AVG) |
|----------|-----------------|-----------|
| 2m | Ø5.7m | 156 lx |
| 4m | Ø11.4m | 39 lx |
| 6m | Ø17.1m | 17 lx |
| 8m | Ø22.9m | 10 lx |
| 10m | Ø28.6m | 6 lx |

