

# H-SERIES



## LED BAY/FLOOD LIGHTS



**Overview**

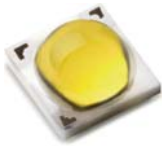
The ZGSM® H-Series LED bay/flood lights are using PHILIPS LUMILEDS® luminous source, providing excellent lumen output, long-lasting stability and splendid sight.

The ZGSM H-Series LED bay/flood lights have a high luminous efficiency and better service life. Provide 7 years warranty on luminaire.

**Color Options**

● Silver Gray

**HIGH-EFFICACY LED LIGHT SOURCE**



**Philips Lumileds Luxeon TX**  
Greater than 135lm/W high efficacy, illumination grade LED light source.



**Philips Lumileds 3030 2D**  
Greater than 150lm/W high efficacy, illumination grade LED light source.



**Philips Lumileds 5050**  
Greater than 185lm/W high efficacy, illumination grade LED light source.

**HIGH-END LED DRIVER (Two options)**

**+ NON-DIMMABLE**



High-end Mean Well HLG Series LED driver, optimal stability, performance and lifespan.

**+ DIMMABLE**

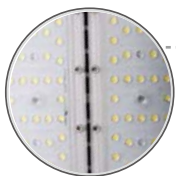
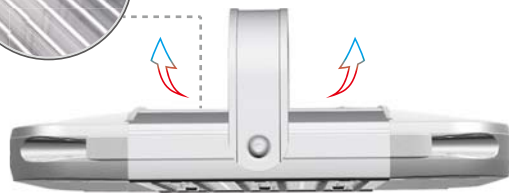


High-end Inventronics programmable LED driver, integrate dimming function and 6KV /10KV surge protection. Provide excellent performance and lifespan.

**AIR CONVECTION EFFECT**

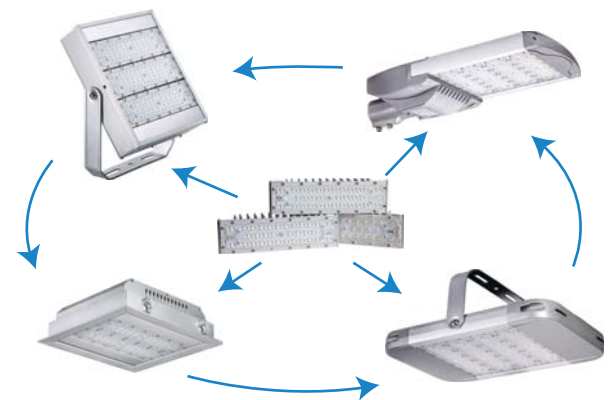


Reasonable heat sink design, not only keep ventilation but also avoid laceration.

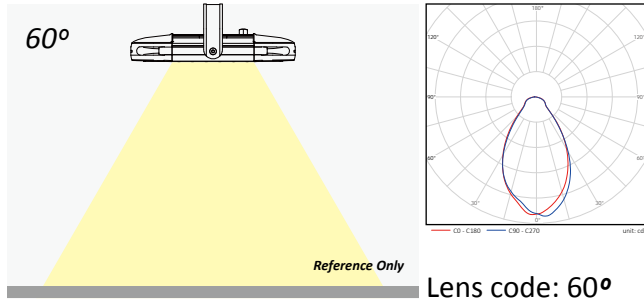


Gaps between each module increase heat dissipation speed and solve the problem of dust deposition.

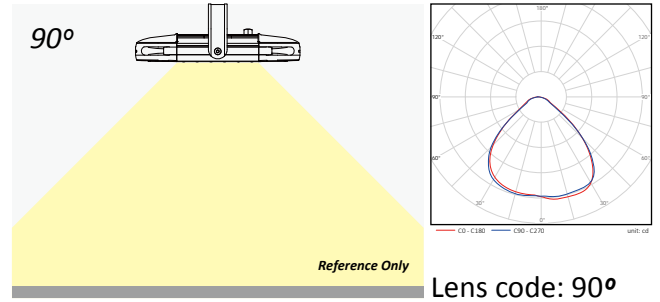
**FLEXIBLE COMBINATIONS OF MODULES**



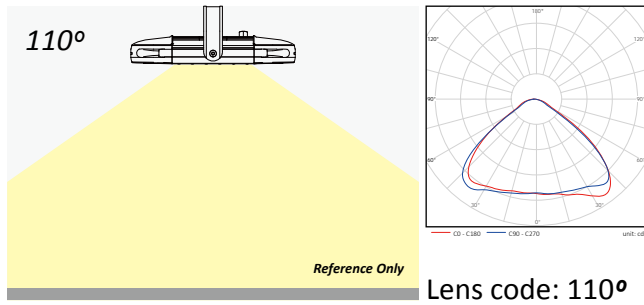
### Optics



**Applications:**  
 Bay Light: Shelf Aisle | High Hall | High Workshop  
 Flood Light: Billboard | Area | Architecture | Landscape Lighting

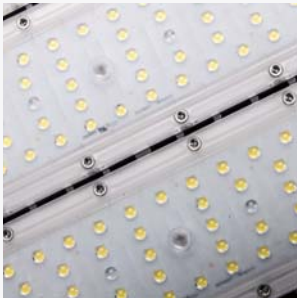


**Applications:**  
 Bay Light: Warehouse | Workshop  
 Flood Light: Billboard | Area | Architecture | Landscape Lighting



**Applications:**  
 Bay Light: Warehouse | Workshop | Gas Station  
 Flood Light: Billboard | Area | Architecture | Landscape Lighting

### Design Features



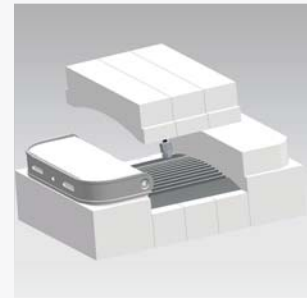
Professional lens design with 60°, 90° and 110° optional.



Use M16 waterproof connector, avoid hard power damage.



full aluminum made, sufficient heat dissipation area also no corrosion worries.



A special tailormade packaging designed to guarantee the highest protection of the lamp.



Use waterproof connector for internal wiring, safe, convenient & fast.



Innovative pluggable connector, clean & efficient.



UL standard connection.



Exquisite and enhanced full aluminium bracket.

DETAILED FEATURES

### Electrical & Photometric

#### ★ 3030 Version

Number of Modules	Model*1	LED Working Current	Power	Luminaire Efficacy (+/- 5%)	Lumen Output (+/- 5%)	Input Voltage	LED Brand	Driver Brand	Light Distributions	CCT (K)	Lifetime (h)
1	ZGSM-GCD40H4 ZGSM-FGD40H4	95mA	40W	140 lm /w	5600 lm	100-240V /277V AC 50 /60Hz	Philips Lumileds 3030 2D	MeanWell Inventronics	60° 90° 110°	3000*2 4000 5000 5700	>100,000 (L70)
	ZGSM-GCD50H5 ZGSM-FGD50H5	115mA	50W	130 lm /w	6500 lm						
	ZGSM-GCD60H6 ZGSM-FGD60H6	145mA	60W	125 lm /w	7500 lm						
2	ZGSM-GCD80H4 ZGSM-FGD80H4	100mA	80W	140 lm /w	11200 lm						
	ZGSM-GCD100H5 ZGSM-FGD100H5	120mA	100W	130 lm /w	13000 lm						
	ZGSM-GCD120H6 ZGSM-FGD120H6	145mA	120W	125 lm /w	15000 lm						
3	ZGSM-GCD120H4 ZGSM-FGD120H4	100mA	120W	140 lm /w	16800 lm						
	ZGSM-GCD150H5 ZGSM-FGD150H5	120mA	150W	130 lm /w	19500 lm						
	ZGSM-GCD180H6 ZGSM-FGD180H6	145mA	180W	125 lm /w	22500 lm						
4	ZGSM-GCD160H4 ZGSM-FGD160H4	100mA	160W	140 lm /w	22400 lm						
	ZGSM-GCD200H5 ZGSM-FGD200H5	120mA	200W	130 lm /w	26000 lm						
	ZGSM-GCD240H6 ZGSM-FGD240H6	145mA	240W	125 lm /w	30000 lm						
5	ZGSM-GCD200H4 ZGSM-FGD200H4	100mA	200W	140 lm /w	28000 lm						
	ZGSM-GCD240H5 ZGSM-FGD240H5	120mA	240W	130 lm /w	31200 lm						
	ZGSM-GCD300H6 ZGSM-FGD300H6	140mA	300W	125 lm /w	37500 lm						

\*1 Model of Bay Light: ZGSM-GCDXXHX | Model of Flood Light: ZGSM-FGDXXHX.

\*2 Luminous Efficacy of 3000K is 5% lower than other CCTs.

#### ★ 5050 Version

Number of Modules	Model*1	LED Working Current	Power	Luminaire Efficacy (+/- 5%)	Lumen Output (+/- 5%)	Input Voltage	LED Brand	Driver Brand	Light Distributions	CCT (K)	Lifetime (h)
1	ZGSM-GCD40H4 ZGSM-FGD40H4	48mA	40W	165 lm /w	6600 lm	100-240V /277V AC 50 /60Hz	Philips Lumileds 5050	MeanWell Inventronics	110°	3000*2 4000 5000 5700	>100,000 (L70)
	ZGSM-GCD50H5 ZGSM-FGD50H5	59mA	50W	160 lm /w	8000 lm						
	ZGSM-GCD60H6 ZGSM-FGD60H6	75mA	60W	155 lm /w	9300 lm						
2	ZGSM-GCD80H4 ZGSM-FGD80H4	50mA	80W	165 lm /w	13200 lm						
	ZGSM-GCD100H5 ZGSM-FGD100H5	61mA	100W	160 lm /w	16000 lm						
	ZGSM-GCD120H6 ZGSM-FGD120H6	75mA	120W	155 lm /w	18600 lm						
3	ZGSM-GCD120H4 ZGSM-FGD120H4	50mA	120W	165 lm /w	19800 lm						
	ZGSM-GCD150H5 ZGSM-FGD150H5	58mA	150W	160 lm /w	24000 lm						
	ZGSM-GCD180H6 ZGSM-FGD180H6	75mA	180W	155 lm /w	27900 lm						
4	ZGSM-GCD160H4 ZGSM-FGD160H4	50mA	160W	165 lm /w	26400 lm						
	ZGSM-GCD200H5 ZGSM-FGD200H5	58mA	200W	160 lm /w	32000 lm						
	ZGSM-GCD240H6 ZGSM-FGD240H6	75mA	240W	155 lm /w	37200 lm						
5	ZGSM-GCD200H4 ZGSM-FGD200H4	50mA	200W	165 lm /w	33000 lm						
	ZGSM-GCD240H5 ZGSM-FGD240H5	61mA	240W	160 lm /w	38400 lm						
	ZGSM-GCD300H6 ZGSM-FGD300H6	75mA	300W	155 lm /w	46500 lm						

\*1 Model of Bay Light: ZGSM-GCDXXHX | Model of Flood Light: ZGSM-FGDXXHX.

\*2 Luminous Efficacy of 3000K is 5% lower than other CCTs.

### ★ 3535 Version

Number of Modules	Model*1	LED Working Current	Power	Luminaire Efficacy (+/- 5%)	Lumen Output (+/- 5%)	Input Voltage	LED Brand	Driver Brand	Light Distributions	CCT (K)	Lifetime (h)
1	ZGSM-GCD40H ZGSM-FGD40H	860mA	40W	110 lm /w	4400 lm	100-240V /277V AC 50 /60Hz	Philips Lumileds Luxeon TX	MeanWell Inventronics	60° 90° 110°	3000*2 4000 5000 5700	>100,000 (L70)
2	ZGSM-GCD80H ZGSM-FGD80H	900mA	80W	110 lm /w	8800 lm						
3	ZGSM-GCD120H ZGSM-FGD120H	900mA	120W	110 lm /w	13200 lm						
4	ZGSM-GCD160H ZGSM-FGD160H	900mA	160W	110 lm /w	17600 lm						
5	ZGSM-GCD200H ZGSM-FGD200H	900mA	200W	110 lm /w	22000 lm						
6	ZGSM-GCD240H ZGSM-FGD240H	900mA	240W	110 lm /w	26400 lm						

\*1 Model of Bay Light: ZGSM-GCDXXHX | Model of Flood Light: ZGSM-FGDXXHX.

\*2 Luminous Efficacy of 3000K is 5% lower than other CCTs.

### Working Environment & Packing

Number of Modules	Product Dimensions (mm)	Carton Size (mm)	N.W (kg)	G.W (kg)	Working Environment	Storage Temperature	Rating	CRI	Power Factor	Power Efficiency	Material
1	293*340*156(Bay Light) 293*340*186(Flood Light)	345*365*160	3.1	3.9	-40 °C ~ +50 °C 10% ~ 90%RH	-40 °C ~ +50 °C	Class I IP66 IK10	>70	>0.95	>90%	Housing: Die-cast aluminum; Heat sink: Stretched Aluminium Alloy; Lens: PC
2	336*340*156(Bay Light) 336*340*223(Flood Light)	415*365*160	4.4	5.2							
3	439*340*156(Bay Light) 439*340*259(Flood Light)	485*365*160	5.4	6.3							
4	512*340*156(Bay Light) 512*340*296(Flood Light)	560*365*160	6.3	7.3							
5	585*340*156(Bay Light) 585*340*332(Flood Light)	635*365*160	7.2	8.3							
6	658*340*156(Bay Light) 658*340*369(Flood Light)	705*365*160	8.1	9.3							

Note: Above data of weight are all typical values.

### Certification

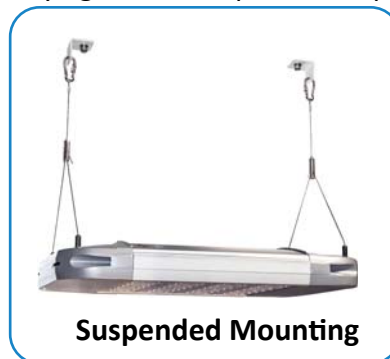
Manufacturer
ISO9001, ISO14001
H Series [ ZGSM-GCD40H, ZGSM-GCD80H, ZGSM-GCD120H, ZGSM-GCD160H, ZGSM-GCD200H, ZGSM-GCD240H ]
H Series [ ZGSM-FGD40H, ZGSM-FGD80H, ZGSM-FGD120H, ZGSM-FGD160H, ZGSM-FGD200H, ZGSM-FGD240H ]
CE, ROHS, GS, CB, SAA, UL, cUL, DLC, LM79, LM80
H4/H5 Series [ ZGSM-GCD40H4, ZGSM-GCD80H4, ZGSM-GCD120H4, ZGSM-GCD160H4, ZGSM-GCD200H4   ZGSM-GCD50H5, ZGSM-GCD100H5, ZGSM-GCD150H5, ZGSM-GCD200H5, ZGSM-GCD240H5 ]
H4/H5 Series [ ZGSM-FGD40H4, ZGSM-FGD80H4, ZGSM-FGD120H4, ZGSM-FGD160H4, ZGSM-FGD200H4   ZGSM-FGD50H5, ZGSM-FGD100H5, ZGSM-FGD150H5, ZGSM-FGD200H5, ZGSM-FGD240H5 ]
CE, ROHS, LM80
H6 Series [ ZGSM-GCD60H6, ZGSM-GCD120H6, ZGSM-GCD180H6, ZGSM-GCD240H6   ZGSM-FGD60H6, ZGSM-FGD120H6, ZGSM-FGD180H6, ZGSM-FGD240H6 ]
CE, ROHS, LM80

### Variety applications

Bay light with short bracket



Bay light with suspension rope

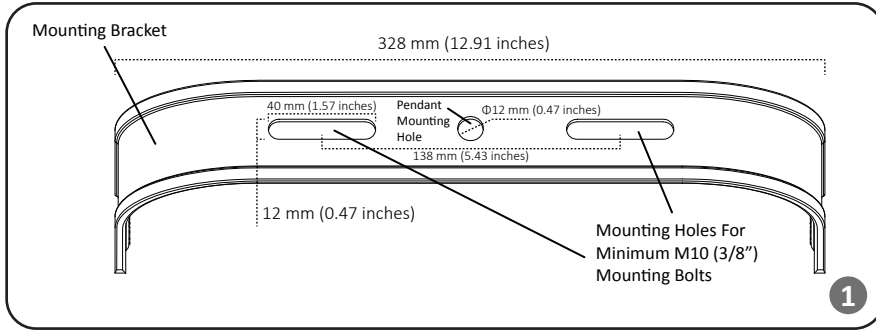


Flood light with long bracket

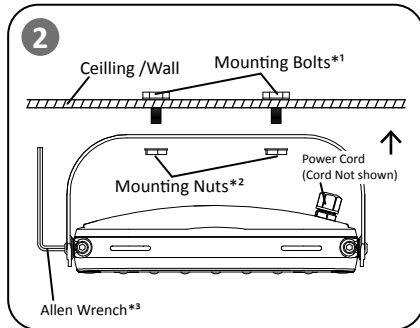


### Installation of Bay Light

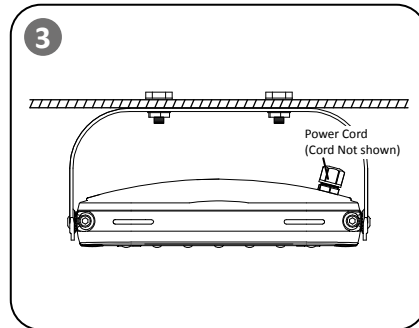
#### ★ Mounting Bracket



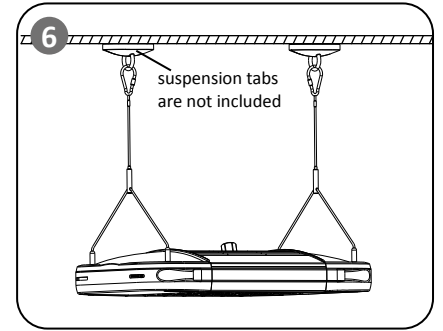
#### ★ Direct Mounting



\*1 Minimum M10 (3/8") Bolts (not-provided) \*2 Mounting Nuts are not provided \*3 Allen Wrench: 8mm (5/16")



#### ★ Suspended Mounting(Optional)



#### STEP 1:

Assemble the mounting bracket to the fixture by provided M10 (3/8") round head screws.

#### STEP 2:

Mount the fixture by two(2) minimum M10 (3/8") bolts. See image 2.

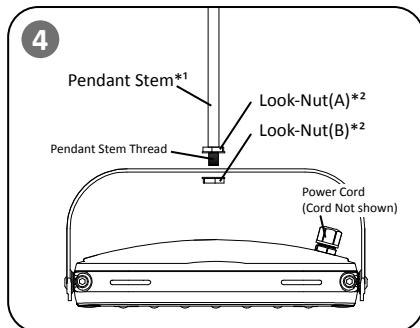
#### STEP 3:

Loosen the mounting bracket screws, adjust the fixture to desired position, re-secure the screws.

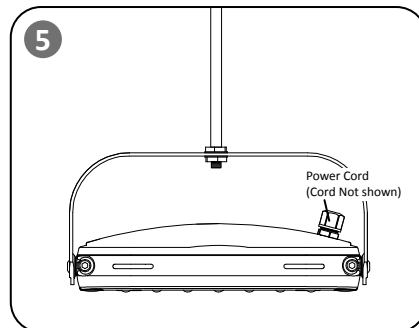
#### STEP 4:

Connect the **Power Cord** to the supply wiring per "**Electrical Connections**" section for completing electrical connections.

#### ★ Pendant Mounting



\*1 Pendant Stem can not be the soft material (not-provided) \*2 Look Nuts are not provided



#### STEP 1:

Assemble the mounting bracket to the fixture by provided M10 (3/8") round head screws.

#### STEP 2:

Attach Lock-Nut(A) to the bottom of the Pendant Stem. Attach Lock-Nut(B) by holding the interjacent Fixture Bracket and tightening Lock-Nut(B) until secure. See image 4.

#### STEP 3:

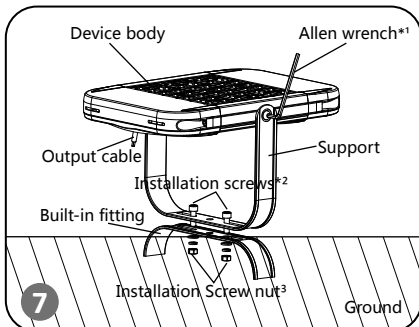
Loosen the mounting bracket screws, adjust the fixture to desire position, re-secure the screws.

#### STEP 4:

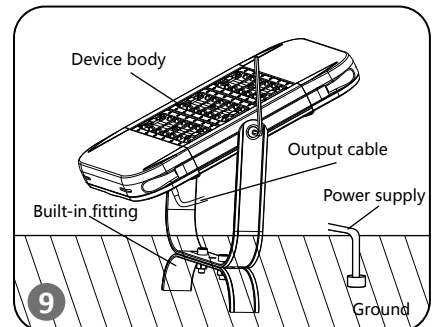
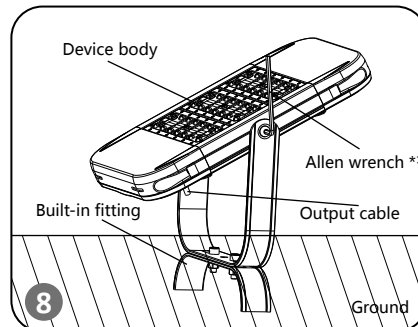
Connect the **Power Cord** to the supply wiring per "**Electrical Connections**" section for completing electrical connections.

### Installation of Flood Light

#### ★ Direct Mounting



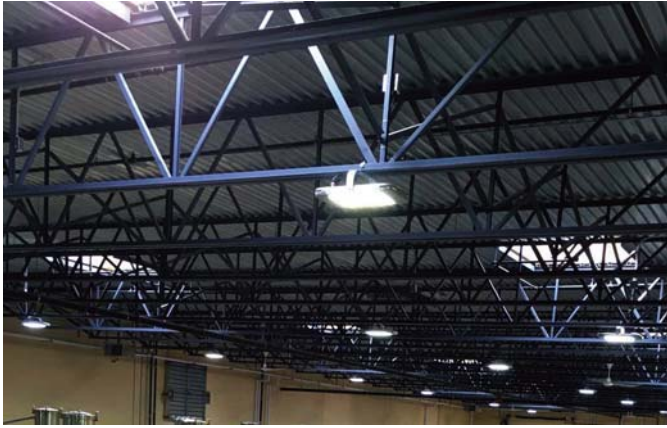
\*1 Allen wrench: 6mm \*2 Minimum M10 screws (Not provided) \*3 Screw nuts (Not provided)



**STEP 1:** Use an Allen wrench to fix the body and the support (is not necessary to tighten the screws too hard). Align support and built-in fitting, tighten the screws as image 7.

**STEP 2:** Settle in the adequate angle position and use Allen screw to fix it as image 8.

**STEP 3:** Connect wire as image 9.



- for Low Bay Applications(Series-H), Canada



- for Low Bay Applications(Series-H), Spain



- for Low Bay Applications(Series-H), Italy



- for flood light Applications(Series-HB), Lithuania



- for flood light Applications(Series-HB), Czech Republic



- for flood light Applications(Series-HB), Dubai